

BRIDGESTONE

350 GTR - GTO



PARTS CATALOGUE

Rockford Motors inc.

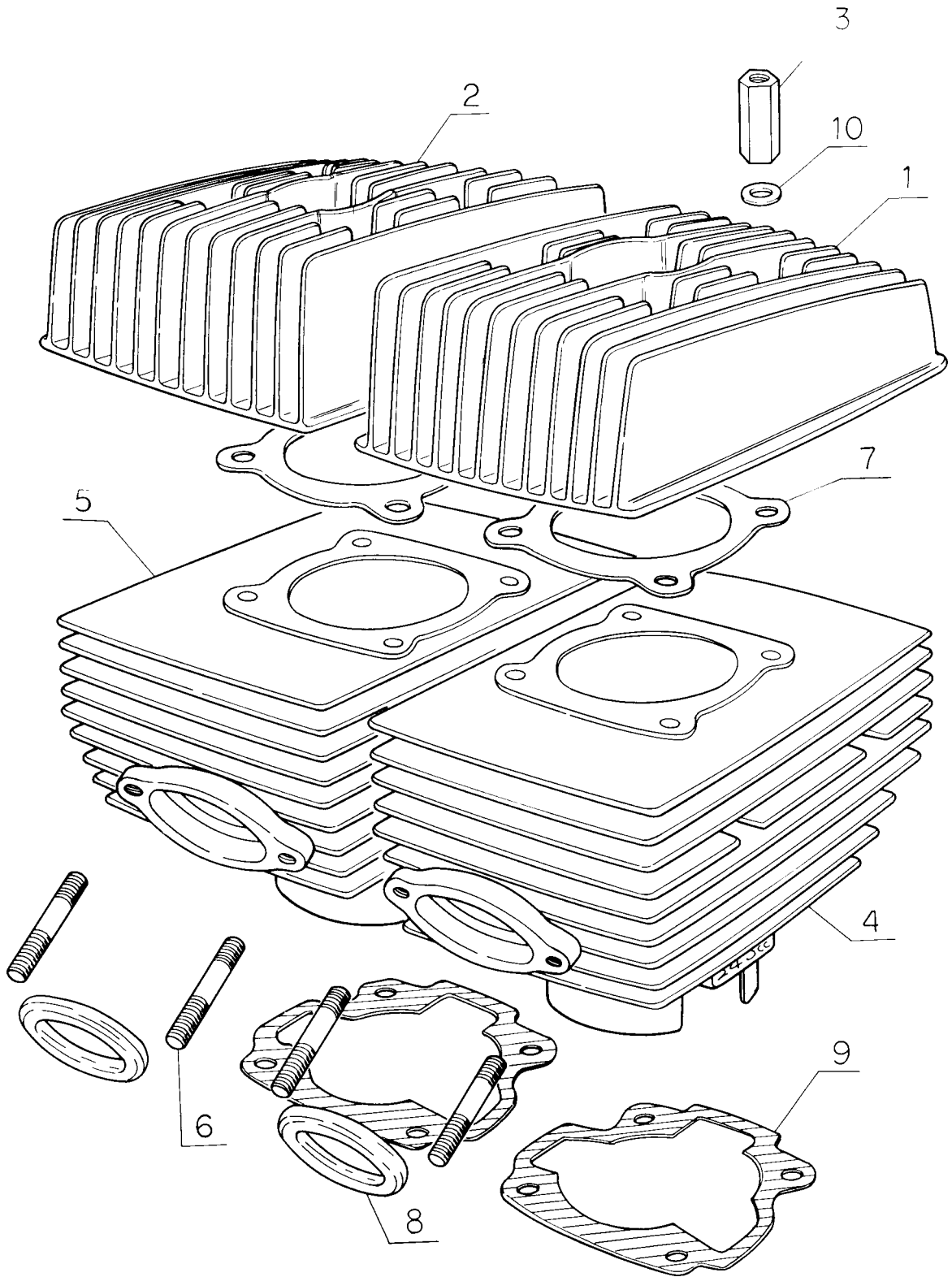
INSTRUCTIONS FOR USING THE PARTS CATALOGUE

1. This catalogue covers all the items of genuine parts and tools of BRIDGESTONE 350 GTR and 350 GTO motorcycles.
2. Please note the following when placing orders.
 - a. Be sure to state accurately the part No. and name of each part.
 - b. All the items recessed (set-back) under individual "assembly item" represent a group of parts comprising the "Assembly".
 - c. The numbers shown in the column "No. Req'd" represent the quantities required for one unit.
 - d. Symbols FAR, CBK, MS, FBG, FOG, PSW, and XCI following the Part Number indicate Flamboyant red. Black, Metallic silver. Flamboyant bead gold, Flamboyant gold. Pearl white and chrome plating finish respectively.
 - e. Dimensions of the parts listed in this catalogue are in millimeters.

CONTENTS

<u>DESCRIPTION</u>	<u>PAGE</u>
<u>ENGINE GROUP</u>	
Cylinder - Cylinder Head	2-3
Crankshaft - Piston - Rotary Valve	4-5
Oil Pump - Pump Gear - Air Cleaner	6-7
Carburetor	8-9
Dynamo - Neutral Switch	10-11
Crank Case	12-13
Left Crank Case Cover	14
Right Crank Case Cover	15
Clutch	16-17
Transmission	18-19
Gear Change Pedal - Shift Drum	20-21
Kick Starter	22-23
 <u>BODY GROUP</u>	
Frame - Rear Fender	24-25
Main Stand - Brake Pedal	26-27
Front Fork	28-29
Front Fender - Handle Bar	30
Rear Fork - Rear Cushion	31
Fuel Tank - Oil Tank	32
Oil Tank - GTO	33
Clutch Grip	34
Throttle Grip	35
Speedometer Cable - Wires	36
Muffler - Exhaust Pipe - GTR	37
Muffler - GTO	38
Dual Seat	39
Front Wheel	40-41
Rear Wheel	42-43
Head Lamp - Tail Lamp	44-45
Speedometer - Ignition Coil - Main Switch	46-47
Tool Box- Cover - Engine Protector - Reflector	48
Service Tool Set - Special Tool Set	49

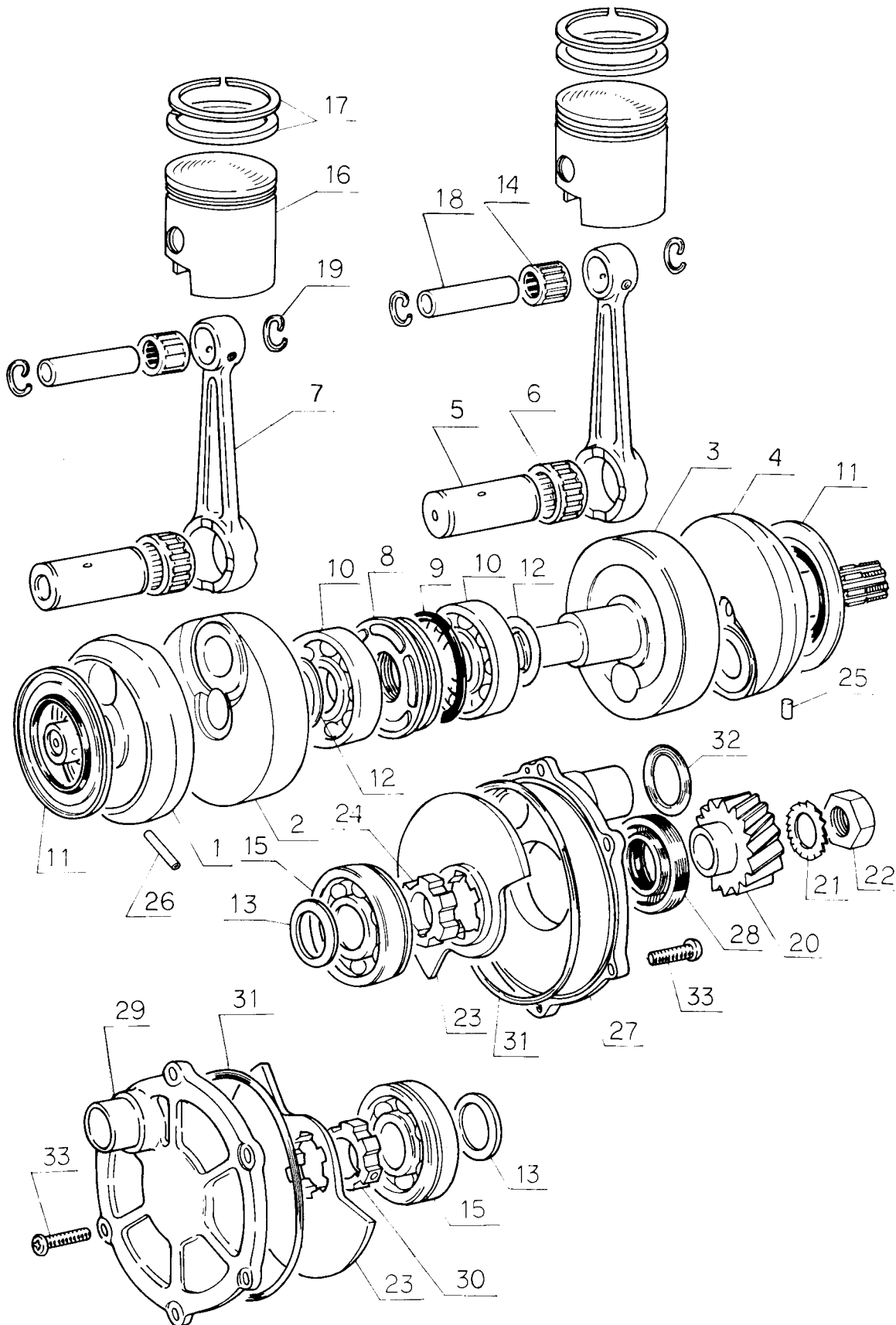
CYLINDER - CYLINDER HEAD



CYLINDER-CYLINDER HEAD

Index No.	Part No.	Part Name	No. Req'd
1	1112-9000	Left cylinder head	1
2	1113-9000	Right cylinder head	1
3	1115-5400	Cylinder head nut	8
4	1122-9000	Left cylinder	1
5	1123-9000	Right cylinder	1
6	09016-113	8 × 50 Stud	4
7	1141-9000	Cylinder head gasket	2
8	1142-9000	Exhaust pipe gasket	2
9	1143-9000	Cylinder base gasket	2
10	0421-0816	Plane washer B	8
	SC 1518	Engine assembly	

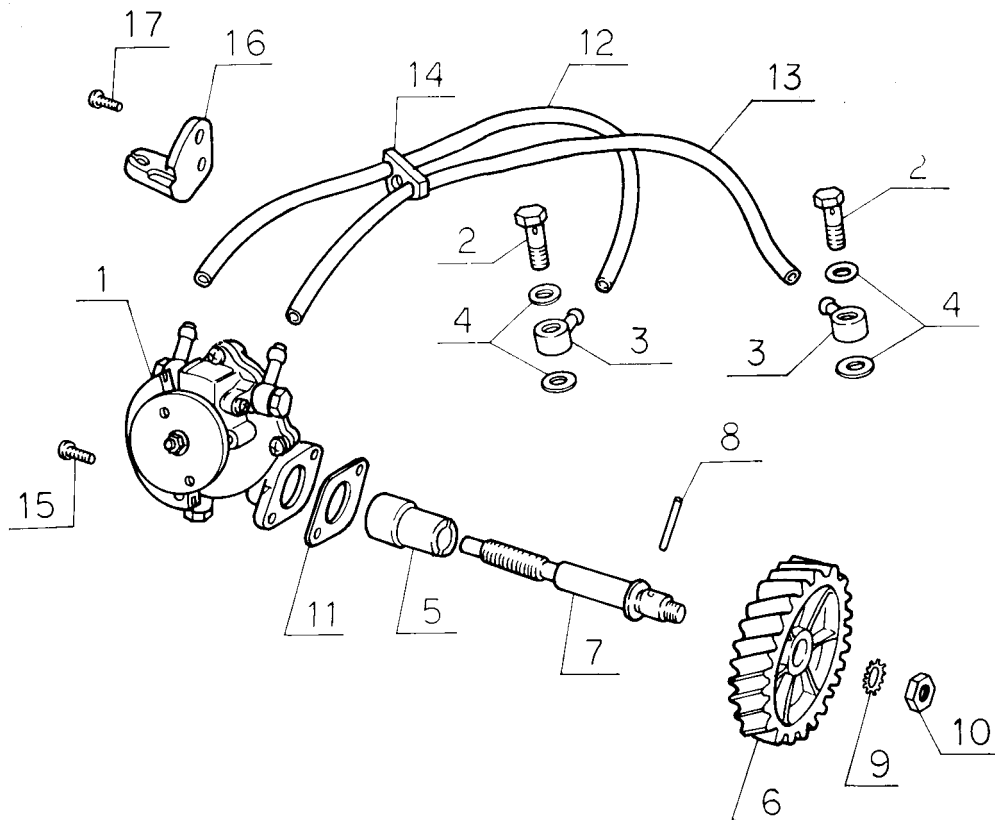
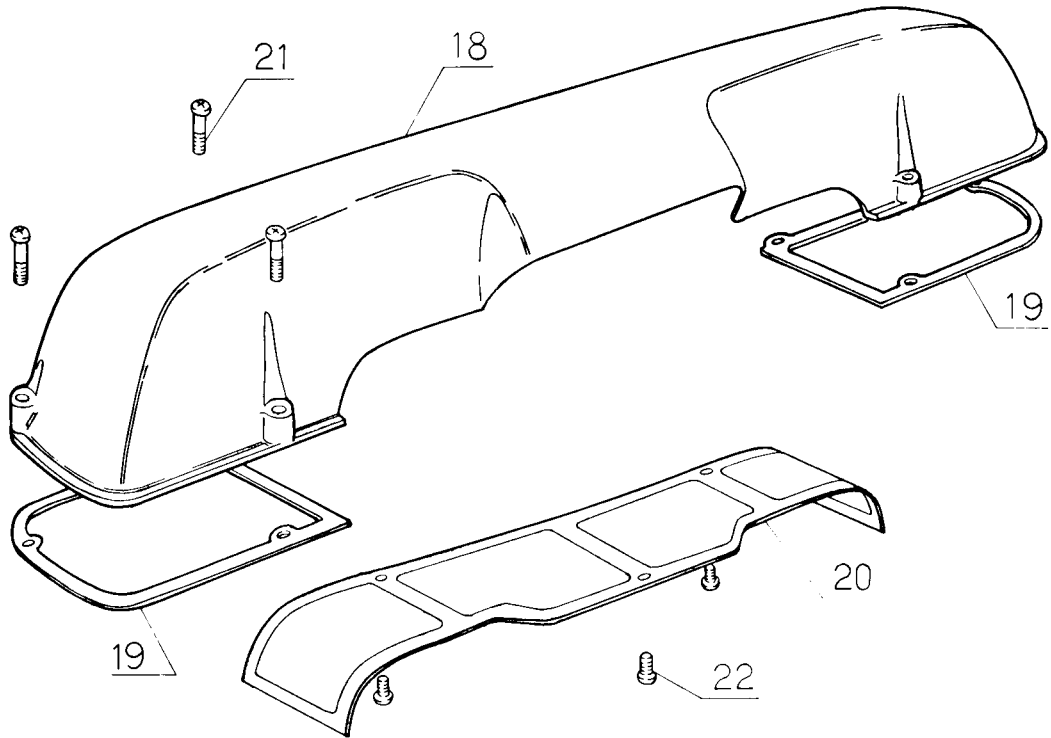
CRANK SHAFT PISTON • ROTARY VALVE



CRANK SHAFT • PISTON • ROTARY VALVE

Index No.	Part No.	Part Name	No. Req'd
	1301-9000	Crank shaft complete	1
5	1321-9000	Crank pin	2
6	1325-9000	Needle bearing	2
7	1331-9000	Connecting rod	2
8	1337-9000	Labyrinth packing	1
9	09066-120	59 O ring	1
10	09075-104	Ball bearing	2
11	09090-117	57 Oil seal	2
12	09049-108	30 × 0.3 Shim	2
13	09049-109	25 × 0.3 Shim	2
14	1333-9000	Needle bearing	2
15	09075-106	Ball bearing	2
16	1341-9000	Piston	2
17	1305-9000	Piston ring set	2
18	1381-9000	Piston pin	2
19	1382-9000	Piston pin circlip	4
20	1385-9000	Drive pinion	1
21	09045-103	20 external toothed washer	1
22	09029-104	20 left thread nut	1
23	1412-9000	Rotary valve	2
24	1413-9000	Valve guide	1
25	09056-102	4 × 8 A dowel	1
26	09059-101	4 × 18 spring pin	1
27	1430-9000	Valve cover complete	1
28	09090-118	32 Oil seal	1
29	1441-9000	Left valve cover	1
30	1423-9000	Left valve guide	1
31	09066-121	125 O ring	2
32	09066-122	33 O ring	1
33	0311-0616	Cross recd pan head screw	12

OIL PUMP • PUMP GEAR • AIR CLEANER



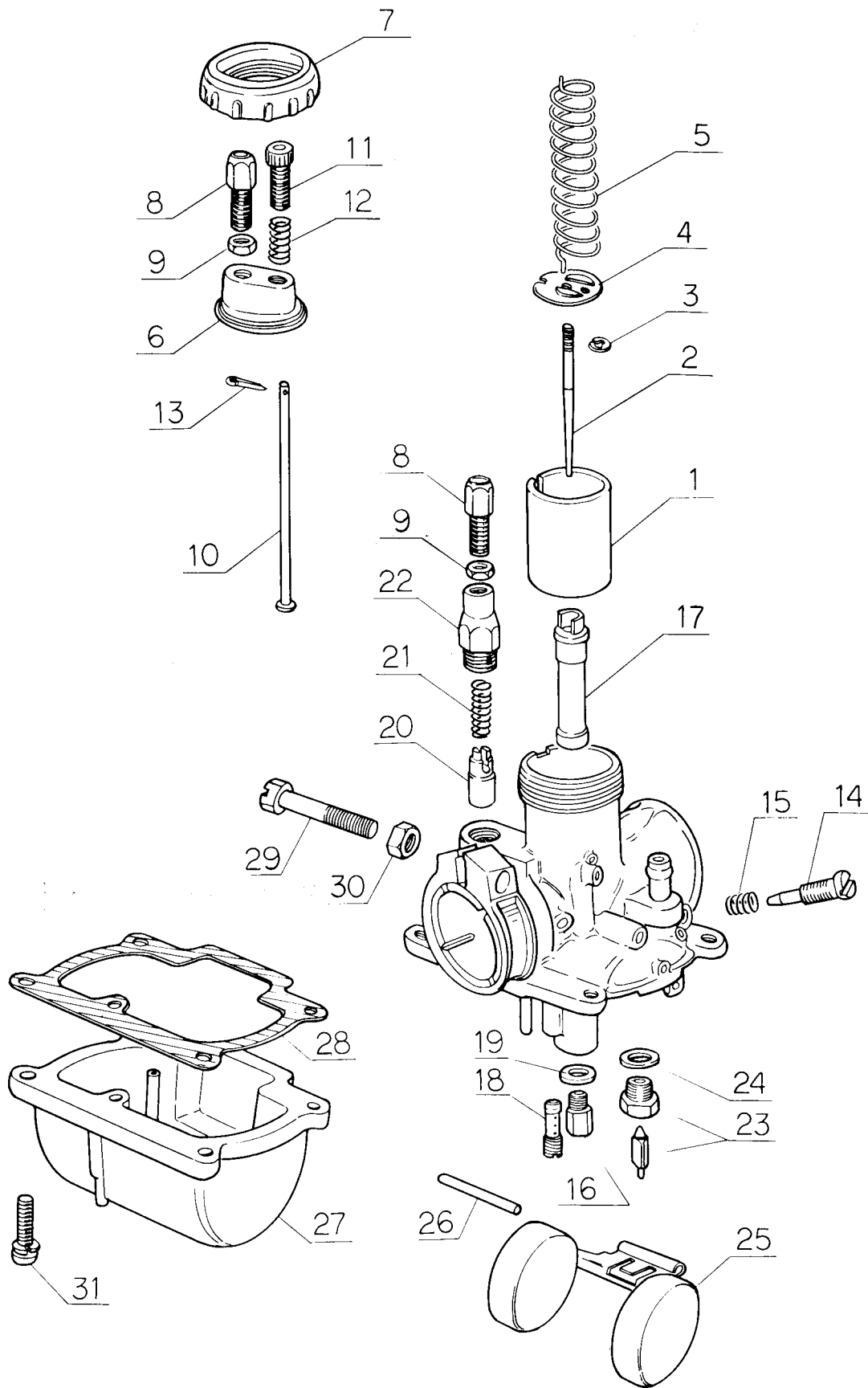
OIL PUMP • PUMP GEAR - AIR CLEANER

Index No.	Part No.	Part Name	No. Req'd
1	1501-9000	Oil pump assembly	1
2	1502-9000	Check valve assembly	2
3	1575-9000	Union connection C	2
4	09065-104	8 Aluminum gasket	4
5	1513-9000	Worm shaft bush B	1
6	1552-9000	Pump gear B	1
7	1555-9000	Worm shaft	1
8	09056-109	3 × 24 A dowel	1
9	0451-0815	External toothed washer	1
10	0231-0800	Hexagon nut C	1
11	1563-5010	Pump gasket	1
12	1566-9000	Oil tube A	1
13	1567-9000	Oil tube B	1
14	1573-9000	Oil tube grommet	1
15	0311-0516	Cross recd pan head screw	2
16	1582-9000	Wire bracket	1
17	0311-0510	Cross recd pan head screw	2
18	6221-9000	Air cleaner case	1
19	6225-9000	Cleaner case gasket	2
20	6214-9000	Air cleaner element	1
21	0311-0525	Cross recd pan head screw	6
22	0311-0510	Cross recd pan head screw	3

OLD AIR CLEANER

6221-9000	Air cleaner case	1
6225-9000	Cleaner case gasket	2
6212-9000	Left air cleaner element	1
6213-9000	Right air cleaner element	1
0311-0625	Cross recd pan head screw	6

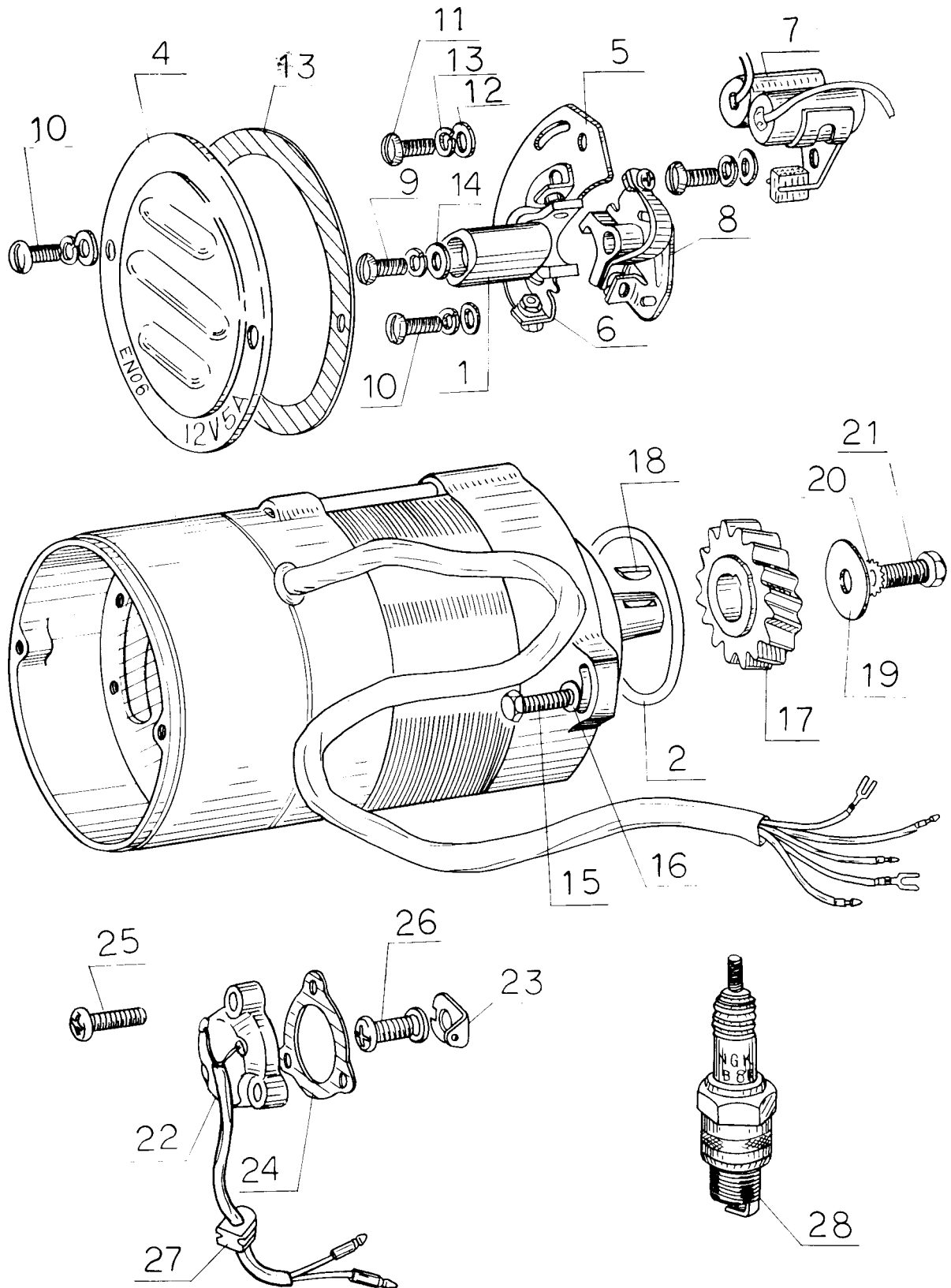
CARBURETOR



CARBURETOR

Index No.	Part No.	Part Name	No. Req'd
	1600-9000	Carburetor assembly	2
1	1614-9000	Throttle valve	2
2	1615-9000	Jet needle	2
3	1616-9000	Needle clip	2
4	1617-9000	Spring seat	2
5	1618-9000	Throttle valve spring	2
6	1619-9000	Mixing chamber top	2
7	1621-9000	Mixing chamber cap	2
8	1622-5000	Cable adjuster	4
9	1623-5000	Adjuster lock: nut	4
10	1626-9000	Throttle stop rod	2
11	1627-5000	Throttle stop screw	2
12	1628-5010	Stop screw spring	2
13	0551-1010	Split pin	2
14	1631-9000	Pilot air screw	2
15	1632-9000	Air screw spring	2
16	1635-5010-140	140 main jet	2
	1635-5010-130	130 main jet	2
17	1633-9000	Needle jet	2
18	1634-9000	Pilot jet	2
19	1636-9000	Washer	2
20	1645-5000	Starter plunger	2
21	1646-5000	Plunger spring	2
22	1647-5000	Plunger cap	2
23	1660-9000	Float valve assy – before 21H	2
	1660-9010	Float valve assy – after 21H	2
24	1665-9000	Valve seat gasket	2
25	1666-9000	Float	2
26	1667-9000	Float pin	2
27	1656-9000	Float chamber body	2
28	1657-9000	Float chamber gasket	2
29	1613-5010	Clamp screw	2
30	0211-0600	Hexagon nut A	2
31	1659-9000	Set screw	8

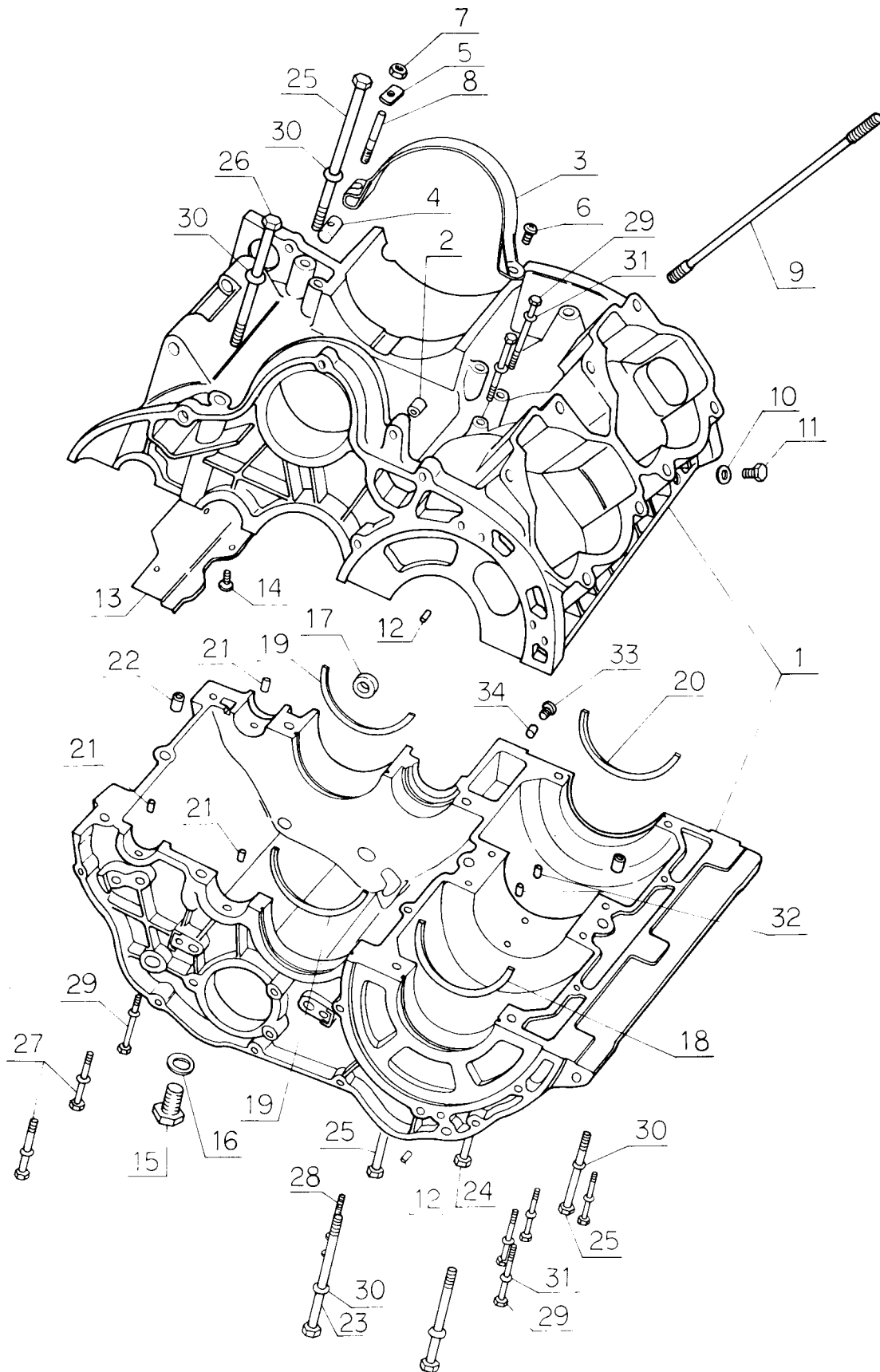
DYNAMO • NEUTRAL SWITCH



DYNAMO • NEUTRAL SWITCH

Index No.	Part No.	Part Name	No. Req'd
	1703-9000	A.C. dynamo assembly	1
1	1736-9000	Contact breaker cam	1
2	1737-8000	O ring	1
3	1738-8000	Contact breaker cover gasket	1
4	1739-8000	Contact breaker cover	1
5	1751-8001	Contact breaker base	1
6	1752-8001	Left contact breaker assy	1
7	1753-8000	Condenser	1
8	1757-8001	Right contact breaker assy	1
9	0361-0412	Pan head screw	1
10	0361-0410	Pan head screw	5
11	0361-0407	Pan head screw	4
12	0421-0408	Plane washer B	6
13	0431-0410	Spring washer	10
14	09041-114	4 plane washer	1
15	0111-0530	Hexagon bolt A	1
16	0411-0512	Plane washer A	1
17	1741-9000	Timing gear	1
18	09067-102	3×13 woodruff key	1
19	09041-112	6 plane washer	1
20	0451-0611	External toothed washer	1
21	0113-0616	Hexagon bolt A	1
22	1761-9000	Neutral switch case	1
23	1762-8001	Neutral switch contact plate	1
24	1763-8000	Neutral switch gasket	1
25	0311-0518	Cross rec'd pan head screw	3
26	0311-0612	Cross rec'd pan head screw	1
27	1764-9000	Neutral switch wire grommet	1
28	1781-8000	Spark plug NGKB8HS	2

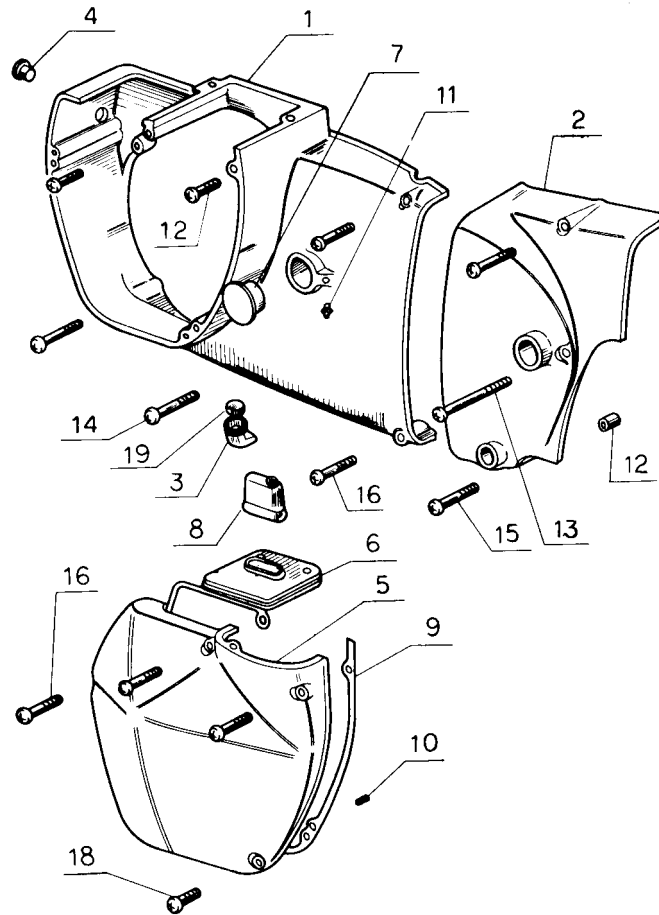
CRANK CASE



CRANK CASE

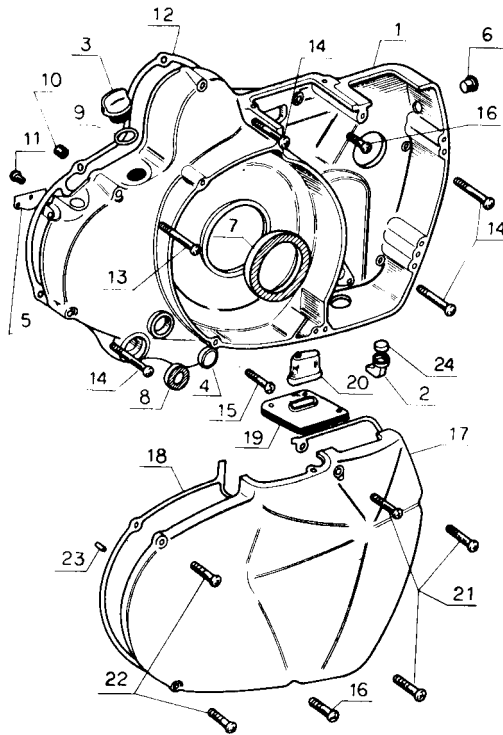
Index No.	Part No.	Part Name	No. Req'd
1	2101-9000	Crank: case assembly	1
2	2116-9000	Dynamo spacer	1
3	2117-9000	Dynamo set band	1
4	2118-8000	Dynamo set pin	1
5	2149-8000	Set band washer	1
6	0311-0610	Cross recd pan head screw	1
7	09021-104	6 hexagon nut	1
8	09016-101	6 × 40 Stud	1
9	09016-114	8 × 156 Stud	8
10	09064-103	8 fiber gasket	1
11	0111-0812	Hexagon bolt A	1
12	09056-102	4 × 8 A dowel	1
13	2128-9000	Oil baffle plate	1
14	0311-0510	Cross recd pan head screw	3
15	09058-103	16 drain plug	1
16	09065-102	16 aluminum gasket	1
17	09090-101	12 oil seal	1
18	2122-9000	Bearing retainer A	1
19	2123-9000	Bearing retainer B	2
20	2125-9000	Bearing retainer C	1
21	09056-105	6 × 10 A dowel	3
22	09057-102	8 × 12 × 14 B dowel	2
23	09511-113	8×114 hexagon bolt	1
24	09011-102	8×100 hexagon bolt	1
25	0113-0890	Hexagon bolt A	4
26	0113-0880	Hexagon bolt A	1
27	0113-0862	Hexagon bolt A	2
28	09011-106	6×70 hexagon bolt	1
29	0113-0662	Hexagon bolt A	7
30	0411-0818	Plane washer A	9
31	0411-0613	Plane washer A	8
32	09056-111	5 × 10 A dowel	2
33	2137-9000	8 rubber plug	1
34	2139-9000	8 plug	2

LEFT CRANK CASE COVER



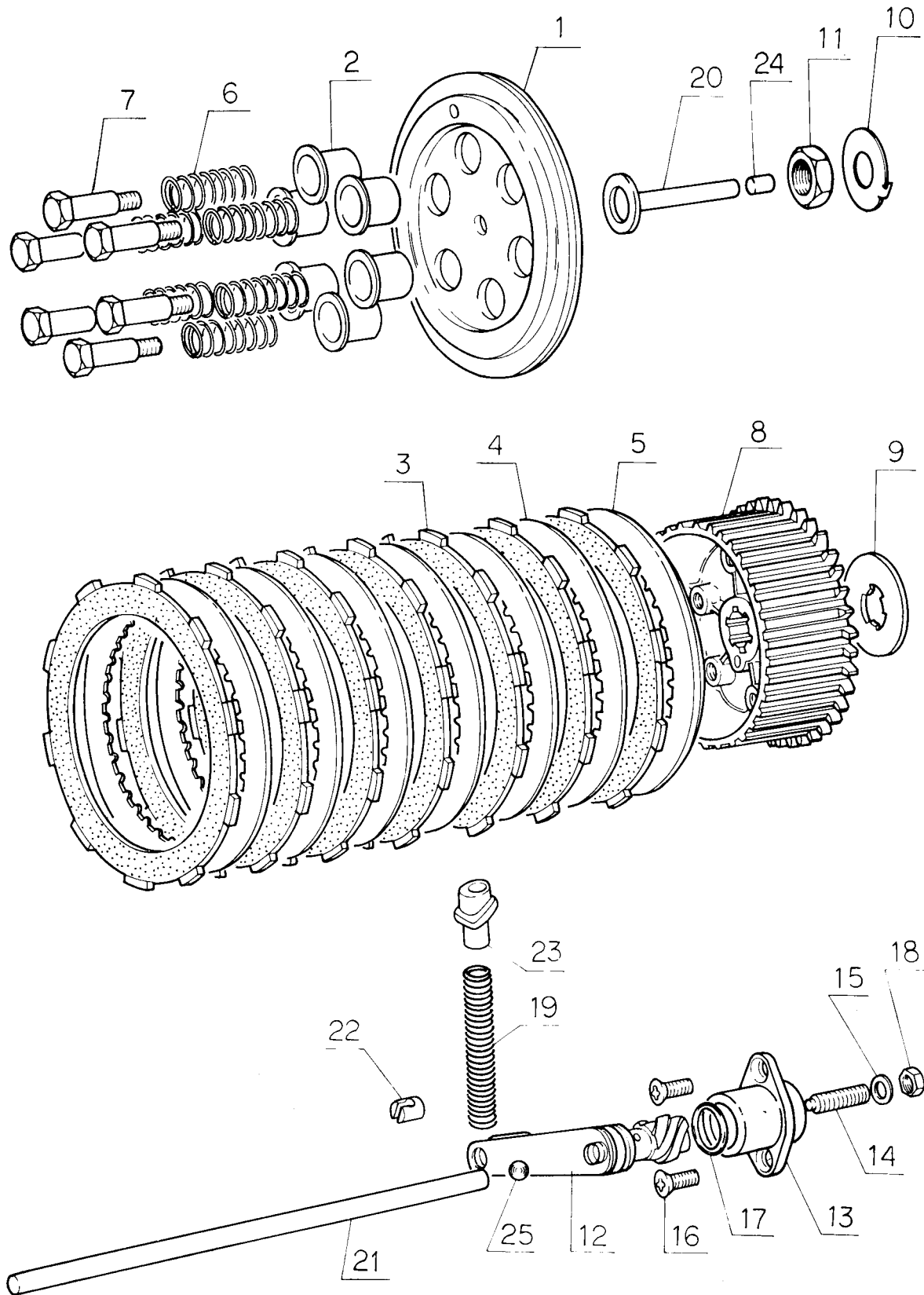
Index No.	Part No.	Part Name	No. Req'd
1	2151-9000	Left crank case cover	1
2	2153-9000	Dust cover A	1
3	2162-9000	Drain pipe	1
4	2168-5000	12 rubber plug	1
5	2171-9000	Left carburetor cover	1
6	2172-9000	Left carburetor cap	1
7	2179-9000	Release screw cap	1
8	2175-9000	Carburetor adjuster cap	1
9	2186-9000	Left cover gasket	1
10	09056-102	4 × 8 A dowel	2
11	7134-3002	Grease nipple	1
12	09057-101	6 × 10 × 10 B dowel	1
13	0313-0655	Cross recd pan head screw	1
14	0313-0640	Cross recd pan head screw	2
15	0313-0635	Cross recd pan head screw	2
16	0311-0630	Cross recd pan head screw	5
17	0311-0625	Cross recd pan head screw	2
18	0311-0620	Cross recd pan head screw	1
19	2163-9000	Drain filter	1

RIGHT CRANK CASE COVER



Index No.	Part No.	Part Name	No. Req'd
1	2161-9000	Right crank case cover	1
2	2162-9000	Drain pipe	1
3	2165-8000	Oil filler plug	1
4	2166-9000	Oil gauge	1
5	2167-9000	Oil baffle plate B	1
6	2168-5000	12 rubber plug	1
7	09090-119	47 oil seal	1
8	09090-101	12 oil seal	1
9	09066-107	21 O ring	1
10	09057-101	6 × 10 × 10 B dowel	2
11	0311-0510	Cross recd pan head screw	2
12	2183-9000	Crank case cover gasket	1
13	0313-0650	Cross recd pan head screw	1
14	0313-0645	Cross recd pan head screw	4
15	0313-0630	Cross recd pan head screw	3
16	0311-0620	Cross recd pan head screw	2
17	2176-9000	Carburetor cover	1
18	2185-9000	Carburetor cover gasket	1
19	2177-9000	Carburetor cap	1
20	2175-9000	Carburetor adjusting cap	1
21	0313-0635	Cross recd pan head screw	3
22	0311-0625	Cross recd pan head screw	2
23	09056-102	4 × 8 A dowel	2
24	2163-9000	Drain filter	1

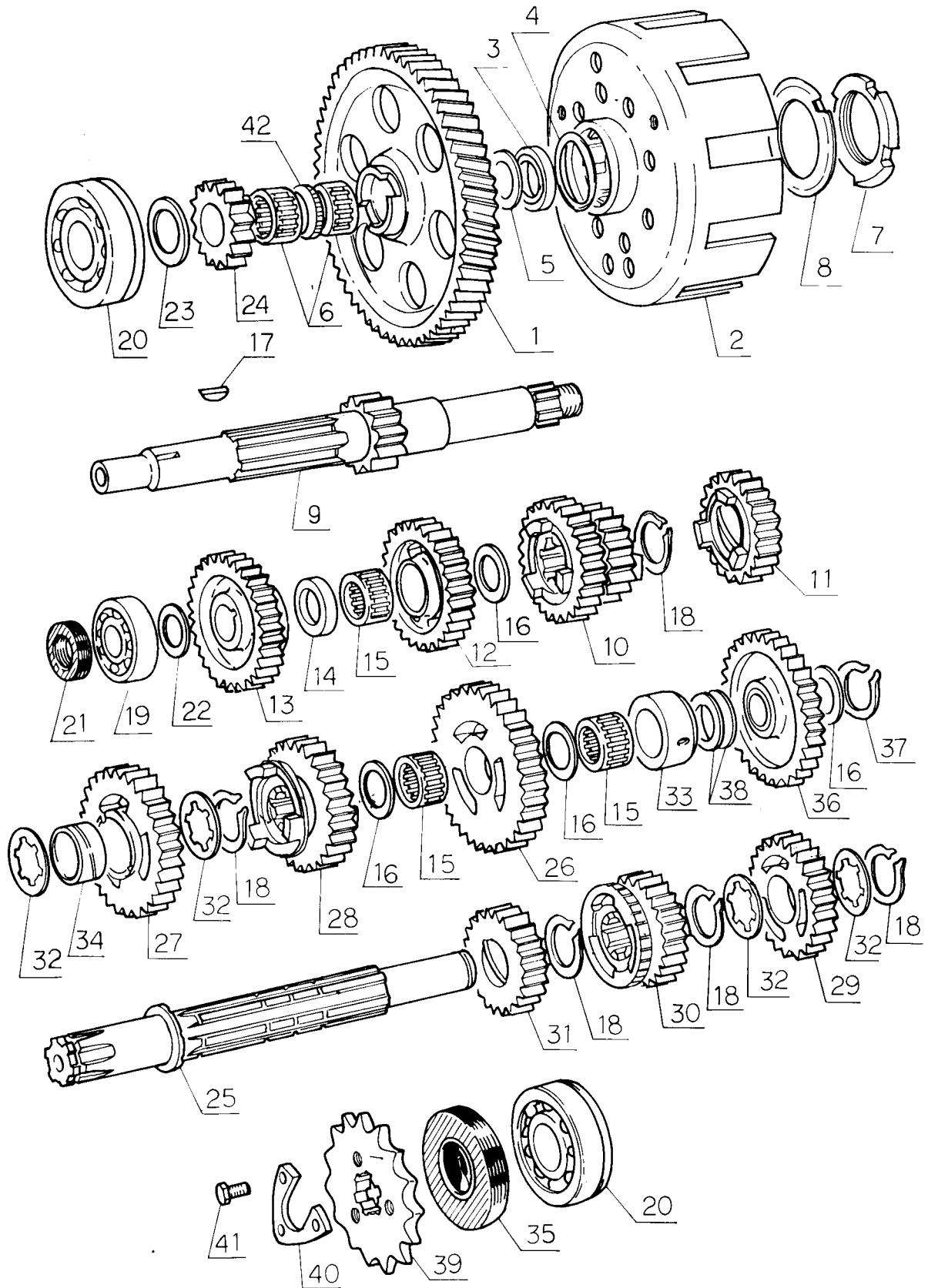
CLUTCH



CLUTCH

Index No.	Part No.	Part Name	No. Req'd
1	2211-9001	Pressure plate	1
2	2213-9000	Clutch spring holder not used	6
3	2214-9000	Friction plate	7
4	2215-9000	Inner plate	6
5	2216-9001	Outer plate	1
6	2218-9001	Clutch spring	6
	0123-0640	Hex bolt	
7	2219-9000	Clutch set bolt not used	6
	0123-0641	Spring holder	
8	2221-9002	Clutch hub	1
9	09048-113	22 thrust washer	1
10	09047-104	16 lock washer	1
11	09021-102	16 hexagon nut	1
12	2260-9000	Release arm	1
13	2264-9000	Release screw	1
14	2267-8000	Release adjust screw	1
15	0411-0613	6 plane washer	1
16	0331-0614	Cross rec'd round head screw	2
17	09066-123	18 O ring	1
18	0211-0600	Hexagon nut A	1
19	2271-5010	Release arm return spring	1
20	2273-9000	Release push rod A	1
21	2274-9000	Release push rod B	1
22	2275-5010	Release arm pin	1
23	2276-9000	Clutch wire holder	1
24	09056-105	6 × 10 A dowel	1
25	0611-0104	Ball	1

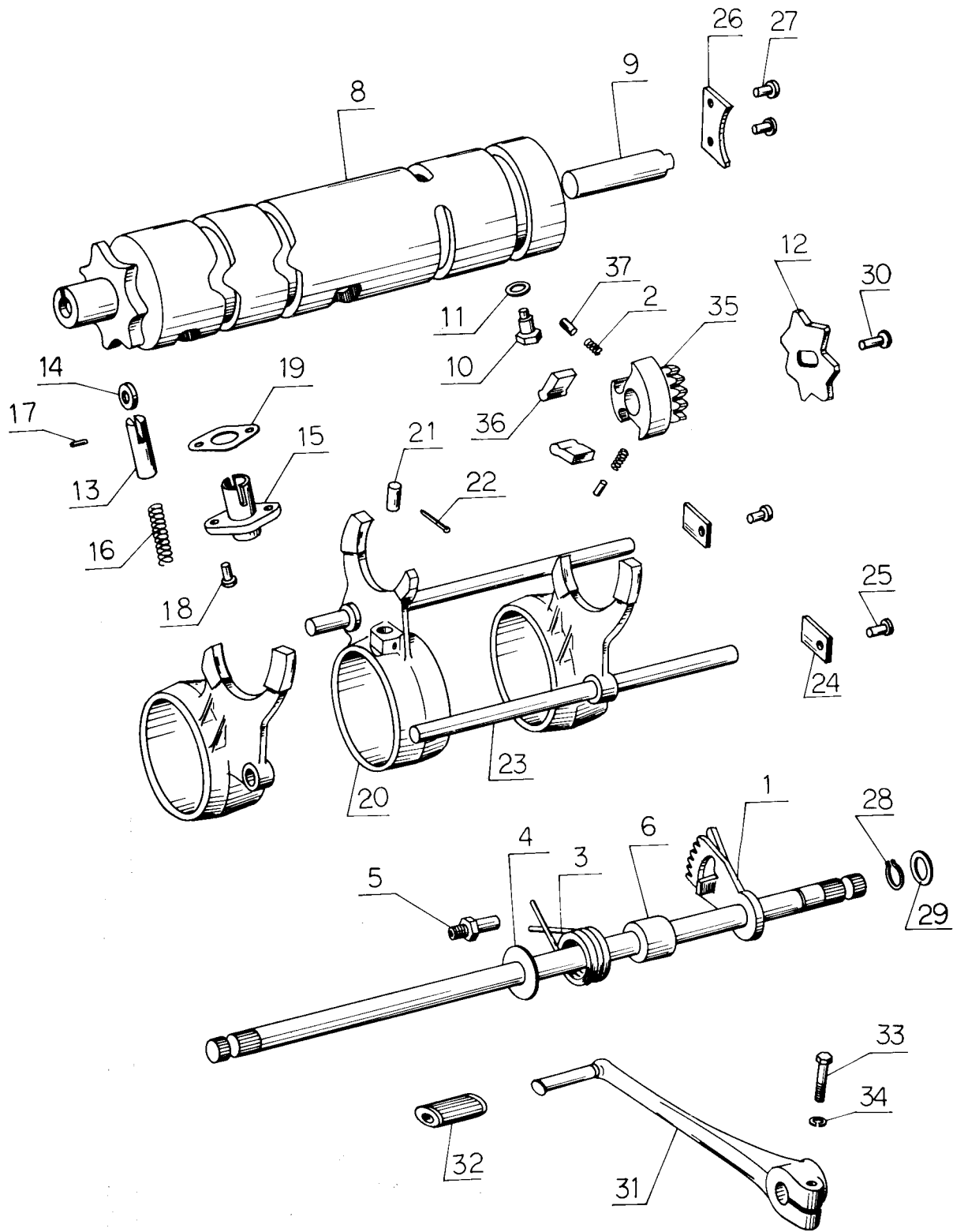
TRANSMISSION



TRANSMISSION

Index No.	Part No.	Part Name	No. Req'd
1	2411-9000	Driven gear	1
2	2412-9000	Clutch housing	1
3	09090-124	22 oil seal	1
4	09066-124	35 O ring	1
5	09048-112	22 thrust washer	1
6	09070-113	Needle bearing	2
7	09028-101	40 ring nut	1
8	09047-106	40 lock washer	1
9	2421-9000	Counter shaft	1
10	2426-9001	2nd gear A	1
11	2431-9000	3rd gear A	1
12	2441-9000	5th gear A	1
13	2443-9000	6th gear A	1
14	2423-9000	Counter shaft spacer	1
15	09070-112	Needle bearing	3
16	09048-114	20 thrust washer	4
17	09067-101	3×15 Woodruff key	1
18	09002-107	25 B snap ring	5
19	07-6203-03	Ball bearing	1
20	07-6305-63	Ball bearing	2
21	09090-104	17 oil seal	1
22	09048-115	17 thrust washer	1
23	09048-116	22 thrust washer	1
24	2611-9000	Kick starter gear A	1
25	2446-9000	Drive shaft	1
26	2451-9000	1st gear B	1
27	2456-9000	2nd gear B	1
28	2461-9000	3rd gear B	1
29	2466-9001	4th gear B	1
30	2471-9000	5th gear B	1
31	2473-9000	6th gear B	1
32	09048-117	25 thrust washer	4
33	2133-9000	Drive shaft bushing	1
34	2457-9000	2nd gear B bushing	1
35	09090-126	25 oil seal	1
36	2616-9000	Kick starter gear B	1
37	09002-105	20 B snap ring	1
38	09049-106	20×0.3 Shim	2-3
39	2484-9000	Drive sprocket	1
40	2485-9000	Sprocket set plate	1
41	0111-0610	Hexagon bolt A	3
42	2494-9000	Needle bearing spacer	1

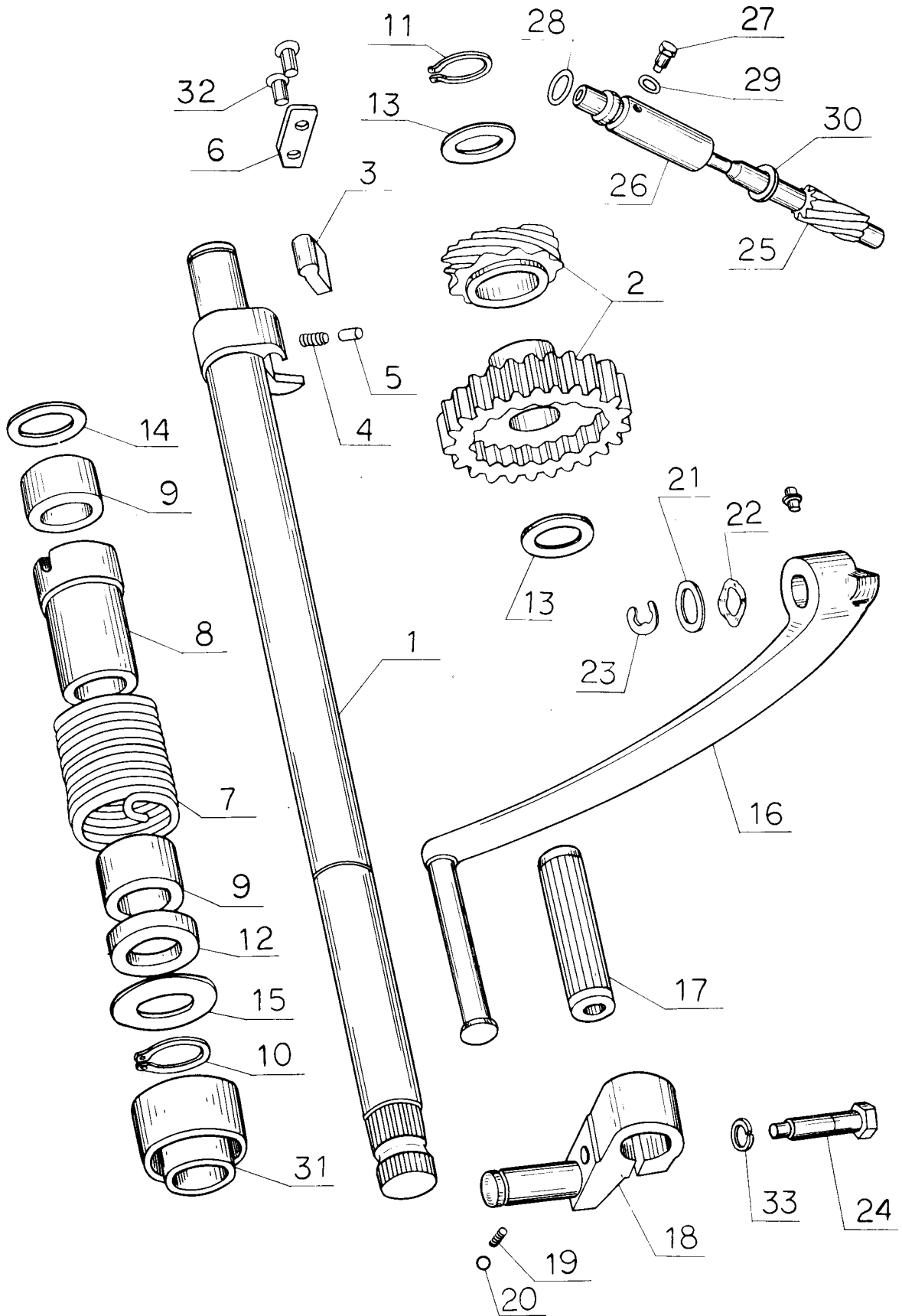
GEAR CHANGE PEDAL • SHIFT DRUM



GEAR CHANGE PEDAL SHIFT DRUM

Index No.	Part No.	Part Name	No. Req'd
1	2510-9000	Change arm complete	1
2	2634-8000	Ratchet spring	2
3	2551-5000	Change shaft return spring	1
4	2552-3002	Change shaft spring seat	1
5	2553-5000	Change arm stopper pin	1
6	2557-8000	Change shaft spacer	1
7	2520-9000	Shift drum complete	1
8	2521-9000	Gear shifter drum	1 (Use 2520-9000)
9	2527-9000	Drum shifter shaft	1 (Use 2520-9000)
10	2528-9000	Drum guide bolt	1
11	09065-104	8 aluminum gasket	1
12	2535-9000	Stopper plate	1
13	2531-9000	Drum stopper arm	1
14	2532-9000	Drum stopper roller	1
15	2534-9000	Drum stopper boss	1
16	2538-9000	Drum stopper spring	1
17	09056-102	4 × 8 A dowel	1
18	0311-0616	Cross recd pan head screw	2
19	2561-9000	Drum stopper gasket	1
20	2541-9000	Shift fork	3
21	2544-9000	Fork guide	3
22	0551-2520	Split pin	3
23	2113-9000	Fork guide pin	2
24	2558-9000	Fork guide stopper	2
25	0311-0610	Cross recd pan head screw	2
26	2549-9000	Drum guide plate	1
27	0311-0614	Cross recd pan head screw	2
28	09002-101	12 B snap ring	1
29	09048-101	12 thrust washer	1
30	0331-0512	Cross flat head screw	1
31	2581-9000	Gear change pedal	1
32	2582-9000	Change pedal rubber	1
33	0113-0625	Hexagon bolt A	1
34	0432-0615	Spring washer	1
35	2513-9000	Drum shifter	1
36	2633-8000	Ratchet	2
37	2642-8000	Ratchet pole	2

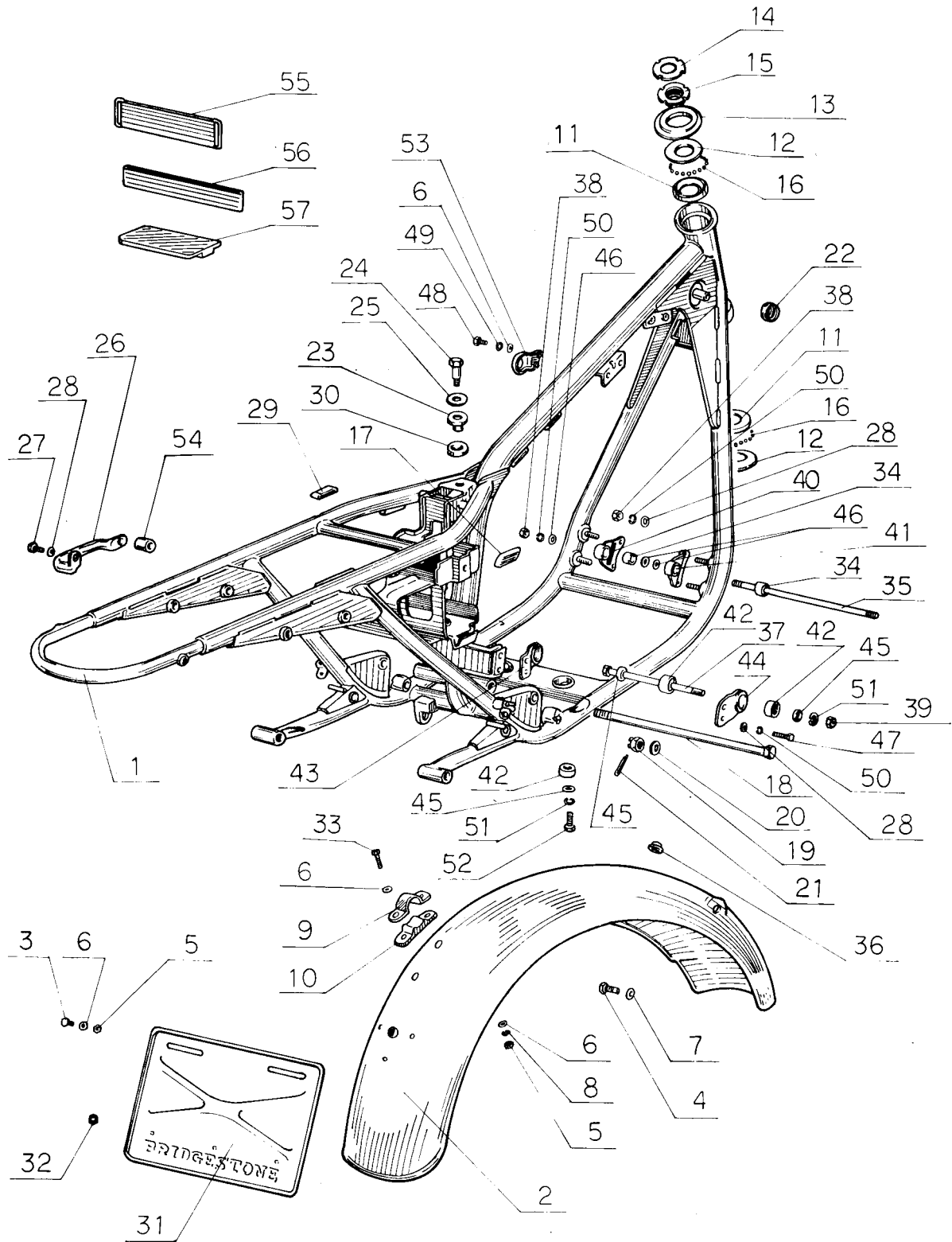
KICK STARTER



KICK STARTER

Index No.	Part No.	Part Name	No. Req'd
1	2621-9000	Kick starter shaft	1
2	2630-9000	Kick. gear C complete	1
3	2633-8000	Ratchet	1
4	2634-8000	Ratchet spring	1
5	2642-8000	Ratchet pole	1
6	2635-9000	Kick starter ratchet stopper	1
7	2636-9000	Kick starter return spring	1
8	2638-9000	Return spring spacer	1
9	2115-9000	Kick starter shaft bush	2
10	09002-108	18 B snap ring	1
11	09006-101	15 F snap ring	1
12	09090-112	18 oil seal	1
13	09048-104	15 thrust washer	2
14	09048-118	18 thrust washer	1
15	0411-1836	Plane washer A	1
	2680-9000	Arm assy – GTO (No grease nipple)	1
	2680-9000	Kick starter arm assy – GTR	1
16		Kick starter arm	1
17	2683-9000	Kick starter pedal rubber	1
18	2685-9000	Kick starter arm boss	1
19	2686-9000	Kick starter set spring	1
20	0611-0732	Ball	1
21	09041-115	15 plane washer	1
22	09046-105	15 wave washer	1
23	09004-102	10 D snap ring	1
24	2687-9000	Kick starter shaft bolt	1
33	0431-1025	Spring washer	1
25	2812-9000	Tachometer gear B	1
26	2813-9000	Tachometer gear bush	1
27	2815-9000	Tachometer bush bolt	1
28	09066-125	12 O ring	1
29	09064-102	6 fiber gasket	1
30	09048-119	8 thrust washer	1
31	2688-9000	Chain guide	1
32	0331-0614	Cross rec'd round head screw	2

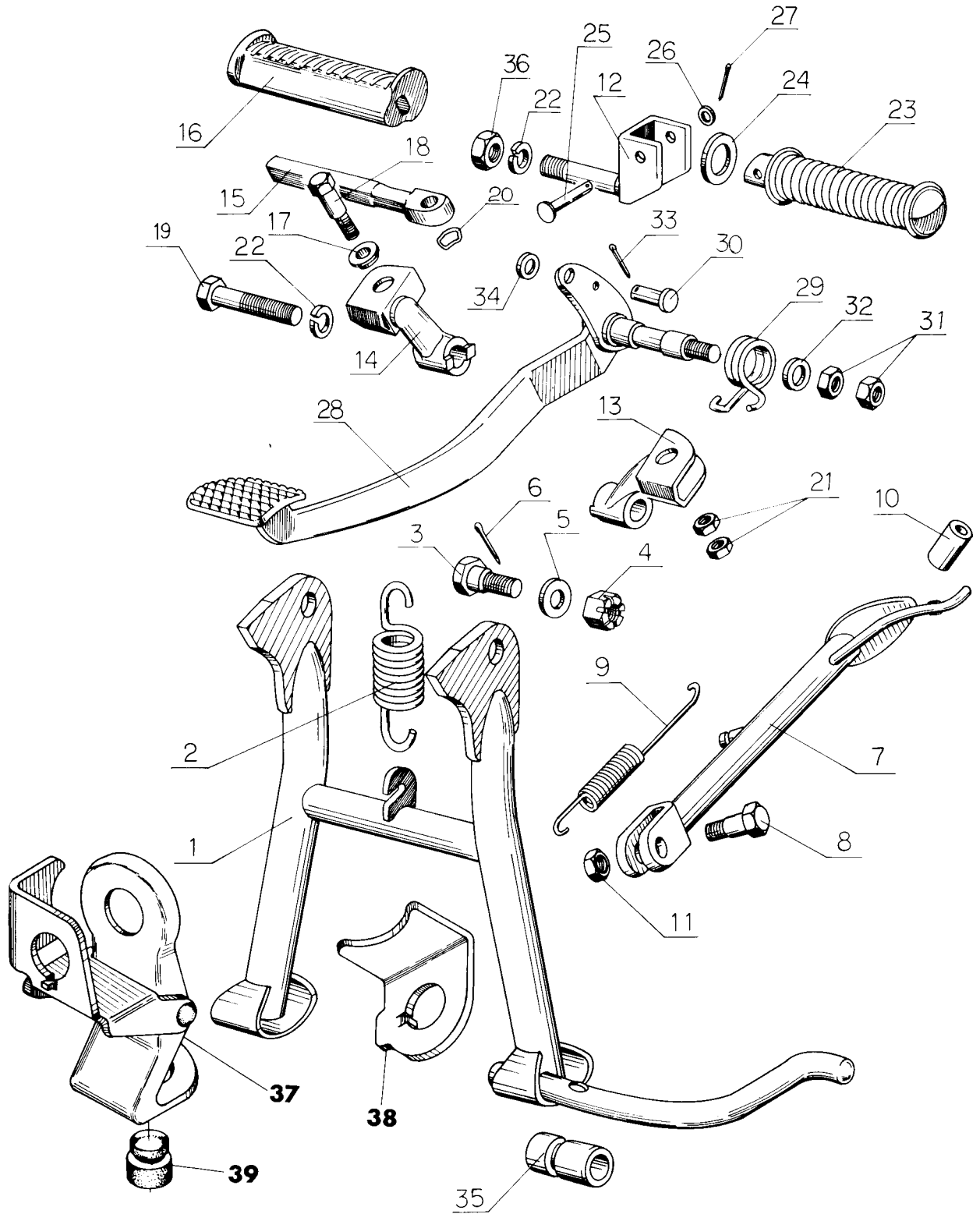
FRAME • REAR FENDER



FRAME • REAR FENDER

Index No.	Part No.	Part Name	No. Req'd
1	3110-9000-CBK	Frame complete	1
2	3260-9000	Rear fender complete	1
3	0111-0614	Hexagon bolt A	4
4	0111-0812	Hexagon bolt A	3
5	0211-0600	Hexagon nut A	4
6	0411-0613	Plane washer A	6
7	0411-0818	Plane washer A	3
8	0432-0615	Spring washer	2
9	3388-9000	Rear fender clamp	1
10	3442-9000	Fender mounting rubber	1
11	3311-8000	Outer race	2
12	3313-8000	Inner race	2
13	3319-8000	Race cap	1
14	3321-5000	Race lock nut	1
15	3322-5000	Race adjuster	1
16	0511-0104	Ball	38
17	3339-9000	Oil tank pad	1
18	3414-9000	Pivot shaft	1
19	09522-102	14 hexagon slotted nut	1
20	09541-119	15 plane washer	1
21	0551-3025	Split pin	1
22	3416-8000	Front tank cushion rubber	2
23	3417-9000	Rear tank cushion rubber	1
24	3419-9000	Tank mounting bolt	1
25	09541-118	18 plane washer	4
26	3428-9000	Frame handle	1
27	0112-0812	Hexagon bolt A	1
28	0411-0818	Plane washer A	1
29	3447-9000	Cover pad	1
30	5149-9000	Tank cushion rubber	1
31	3443-3210	Number plate supporter	1
32	3452-3210	Supporter pad	3
33	0113-0620	Hexagon bolt	2
34	3358-9000	Engine cushion rubber A	2
35	3373-9000	Engine mounting bolt	1
36	3412-8000	Rear fender grommet	1
37	09511-145	10 × 145 hexagon bolt	1
38	0211-0800	Hexagon nut A	6
39	0241-1000	Hexagon nut D	1
40	3365-9000-CBK	Left engine bracket	1
41	3366-9000-CBK	Right engine bracket	1
42	3367-9000	Engine cushion rubber B	4
43	3371-9000-CBK	Left engine hanger	1
44	3372-9000-CBK	Right engine hanger	1
45	09541-120	10 plane washer	4
46	09541-121	8 plane washer	4
47	0111-0818	Hexagon bolt A	4
48	0111-0612	Hexagon bolt A	2
49	0431-0615	Spring washer	2
50	0431-0820	Spring washer	10
51	0431-1025	Spring washer	3
52	09511-150	10 × 38 hexagon bolt	2
53	3166-9000	Main switch bracket	1
54	3386-9000	Spacer A	1
55	3353-3001	Battery band	1
56	3345-9000	Battery pad	1
57	3346-9000	Battery seat	1

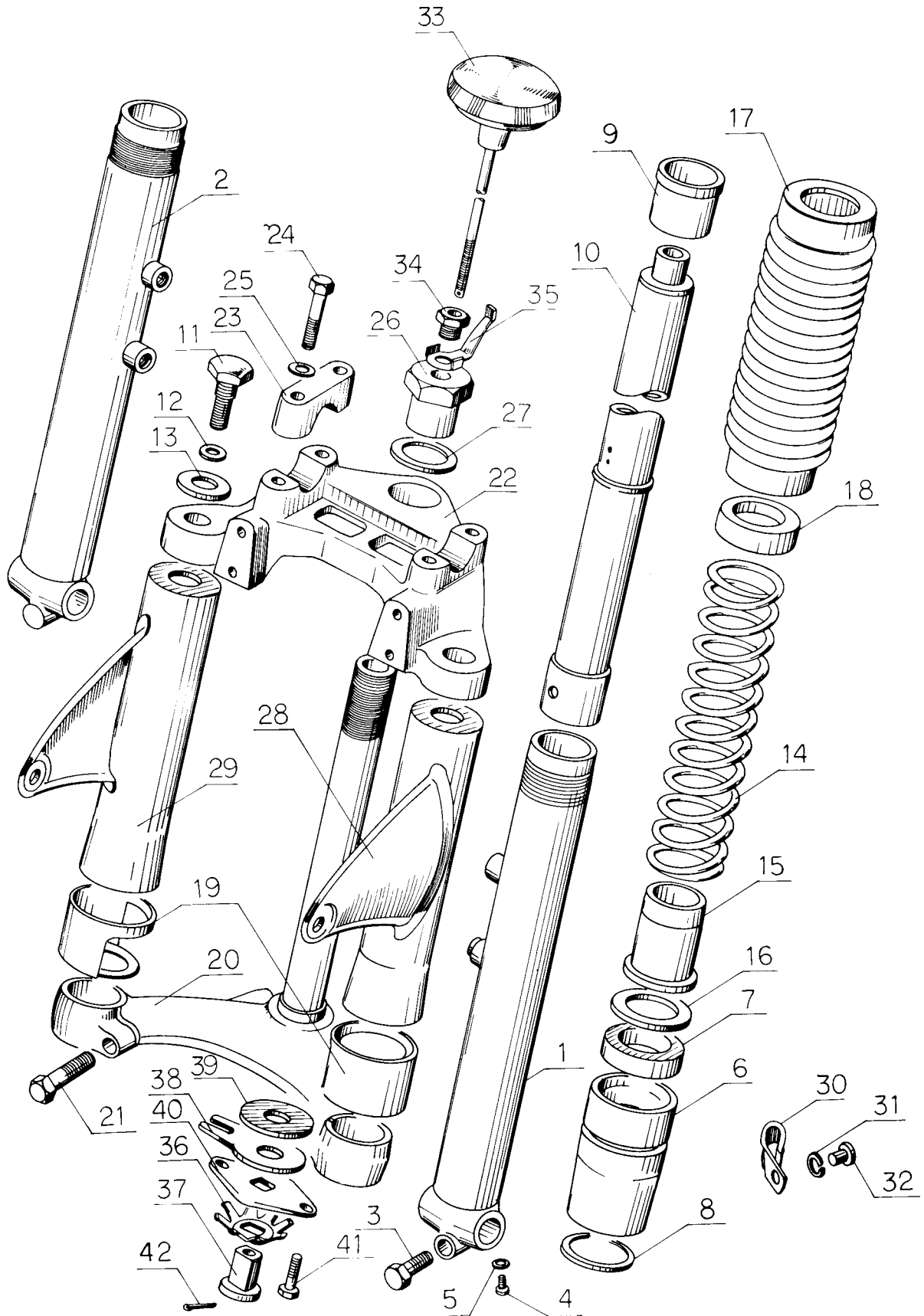
MAIN STAND • BRAKE PEDAL



MAIN STAND-BRAKE PEDAL

Index No.	Part No.	Part Name	No. Req'd
1	3610-9000-CBK	Main stand complete	1
2	3624-9000	Main stand spring	1
3	3625-9000	Left stand bolt	2
4	09522-105	12 sloted hexagon nut	2
5	09541-117	12 plane washer	2
6	0551-3025	Split pin	2
7	3650-9000	Side stand complete	1
8	3662-8000	Side stand bolt	1
9	3663-9000	Side stand spring	1
10	3664-9000	Side stand rubber	1
11	09521-106	10 hexagon nut	1
12	3259-9000-CBK	Footrest bracket	2
13	3715-9000	Left footrest	1
14	3716-9000	Right footrest	1
15	3711-5010	Footrest bar	2
16	3721-3002	Footrest rubber	2
17	3722-5010	Footrest mounting spacer	2
18	3723-5010	Footrest mounting bolt	2
19	09511-127	12×50 hexagon bolt	2
20	09546-104	10 wave washer	2
21	0231-0800	Hexagon nut C	4
22	0431-1230	Spring washer	2
23	3702-5000	Rear foot rest assembly	2
24	3762-5000	Rear foot rest washer	2
25	3763-5000	Rear foot rest pin	2
26	0411-0613	Plane washer A	2
27	0552-1612	Split pin	2
28	3810-9000	Brake pedal complete	1
29	3821-9000	Brake pedal spring	1
30	3822-9000	Brake pedal pin	1
31	0231-0800	Hexagon nut C	2
32	0411-1022	Plane washer A	1
33	0551-2018	Split pin	1
34	09546-104	10 wave washer	2
35	3335-9000	Stand rubber stopper	1
36	0241-1200	Hexagon nut A	2
37	3336-9010	Stand stopper bracket	1
38	3765-9010	Tandem footrest stopper	1
39	3335-3000	Stand rubber stopper	1

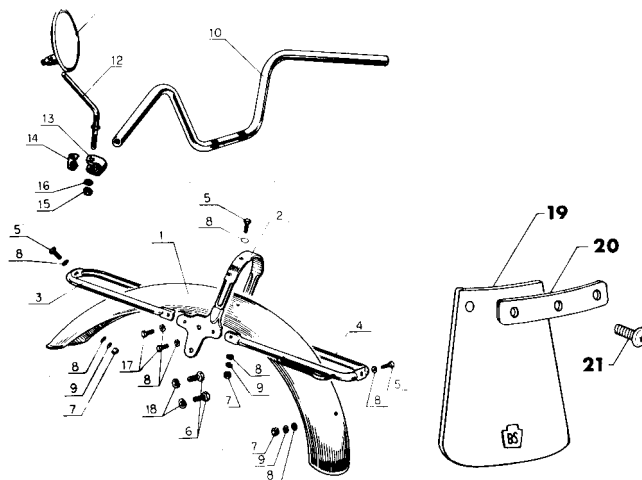
FRONT FORK



FRONT FORK

Index No.	Part No.	Part Name	No. Req'd
	4100-9000-MS	Front fork assembly	1
1	4131-9000-MS	Outer tube B	1
2	4111-9000-MS	Outer tube A	1
3	09511-147	8 × 26 hexagon bolt	1
4	09531-101	4 × 7 cross pan head screw	2
5	4118-5000	Drain plug gasket	2
6	4114-9000	Outer tube nut	2
7	09590-122	34 oil seal	2
8	09566-107	40 O ring	2
9	4116-9000	Cushion slide metal	2
10	4113-9000	Inner tube A	2
11	4124-9000	Upper bridge bolt	2
12	09566-112	9 O ring	2
13	4125-9000	Upper bridge washer	2
14	4121-9000	Front main cushion spring	2
15	4127-9000	Dust seal	2
16	4115-9000	Main spring seat	2
17	4177-9000	Front fork boot	2
18	4178-9000	Upper boot holder	2
19	4174-9000	Fork cover guide	2
20	4151-9000-CBK	Lower bridge	1
21	09511-121	10 × 32 hexagon bolt	2
22	4161-9000	Upper bridge	1
23	4162-8000	Handle holder	2
24	0134-0836	Hexagon bolt C	4
25	0421-0816	Plane washer B	4
26	4164-9000	Steering head nut	1
27	4165-5000	Steering head washer	1
28	4171-9000-MS	Left fork cover	1
29	4181-9000-MS	Right fork cover	1
30	4182-9000	Cable clip	1
31	0431-0615	Spring washer	1
32	0311-0608	Cross rec'd pan head screw	1
33	4311-9000	Steering damper knob	1
34	4312-8000	Damper knob guide	1
35	4313-8000	Damper lock spring	1
36	4319-8000	Steering damper spring	1
37	4321-8000	Damper spring guide	1
38	4315-9000	Friction plate	1
39	4314-9000	Damper facing	1
40	4322-9000	Damper guide plate	1
41	09511-148	6×18 hexagon bolt	2
42	0552-1612	Split pin	1

FRONT FENDER • HANDLE BAR

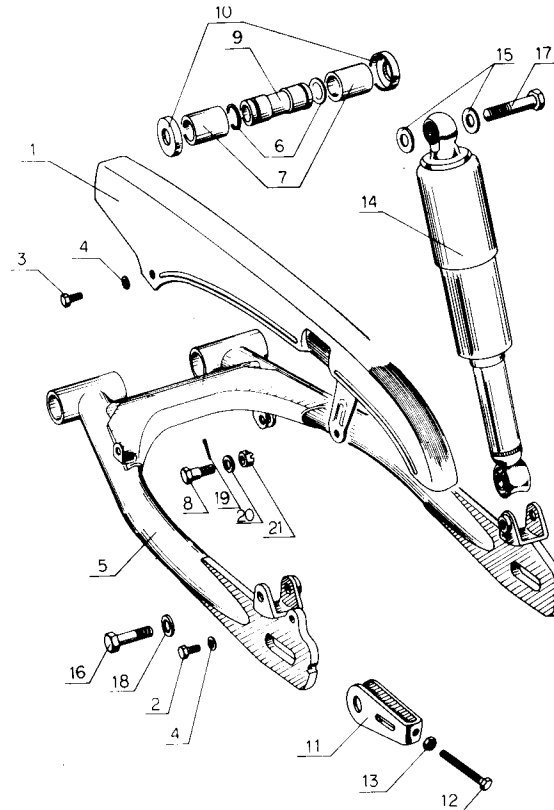


Index No.	Part No.	Part Name	No. Req'd
1	4411-9000-XCI	Front fender	1
2	4412-9000	Fender bracket A	1
3	4423-9000-XCI	Fender stay A	1
4	4424-9000-XCI	Fender stay B	1
5	0112-0614	Hexagon bolt A	4
6	0111-0812	Hexagon bolt A	4
7	0211-0600	Hexagon nut A	4
8	0411-0613	Plane washer A	12
9	0431-0513	Spring washer	4
10	4511-9000	Up handle bar	1
	4601-8000	Rear mirror assembly	1
11	4610-8000	Rear mirror	1
12	4621-8000	Rear mirror stay	1
13	4622-8000	Rear mirror clamp	1
14	4624-8000	Clamp spacer not available	
15	0211-0800	Hexagon nut A	1
16	0421-0816	Plane washer B	1
17	0112-0614	Hexagon bolt A	4
18	0431-0820	Spring washer	4

Exclusive Parts for GTO

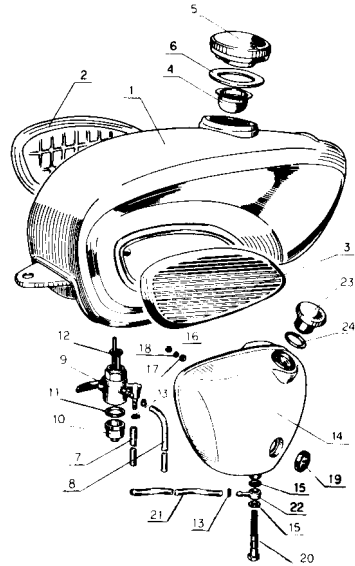
1	4411-9010-XCI	Front fender	1
2	4412-9010-XCI	Fender bracket A	1
3	4423-9010-XCI	Fender stay A	1
4	4424-9010-XCI	Fender stay B	1
7	0211-0500	Hexagon nut A	4
8	0411-0512	Plane washer	12
9	0431-0513	Spring washer	4
10	4511-9010	Up handle bar	1
19	4451-5010	Front mud guard	1
20	4452-5010	Front mud guard band	1
21	0311-0510	Cross recd pan head screw	3

REAR FORK • REAR CUSHION



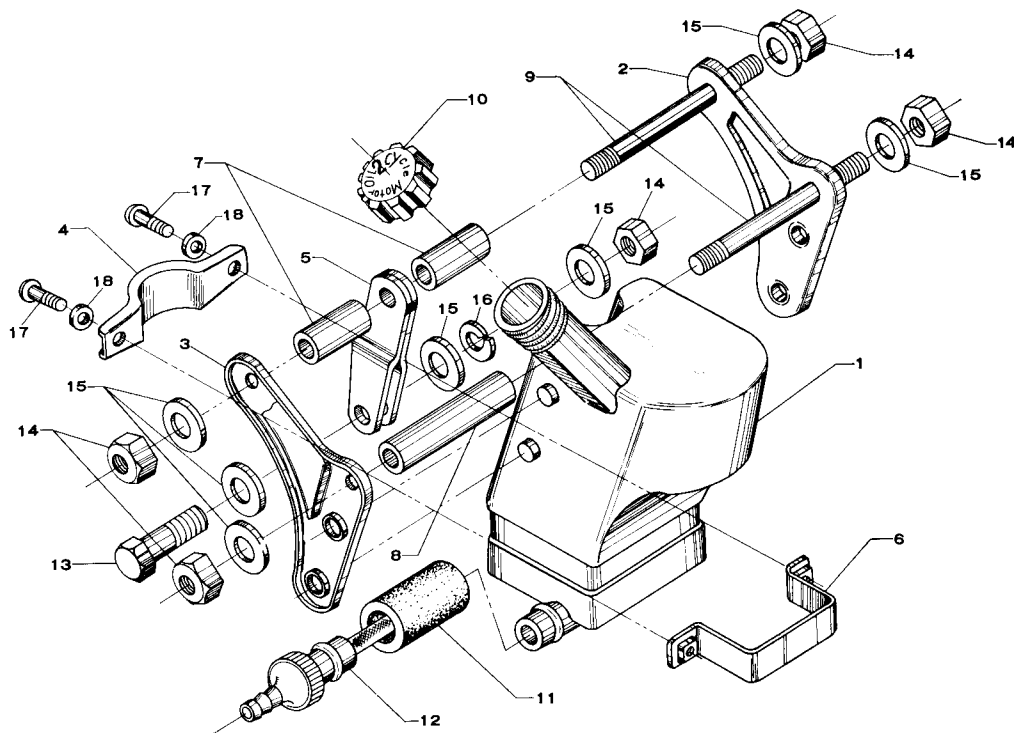
Index No.	Part No.	Part Name	No. Req'd
1	4751-9000-XCI	Half chain case	1
2	0112-0614	Hexagon bolt B	1
3	0112-0608	Hexagon bolt A	1
4	0411-0613	Plane washer A	2
5	4810-9000-CBK	Rear fork complete	1
6	09566-106	18 O Ring	4
7	4851-9000	Rear fork bush	4
8	4855-9000	Torque rod bolt	1
9	4856-9000	Rear fork collar	2
10	4858-9000	Fork pivot cap	4
11	4861-9000	Chain adjuster	2
12	4864-8000	Chain adjuster bolt	2
13	0231-0600	Hexagon nut C	2
14	4901-9000-XCI	Rear cushion assembly	2
15	09541-117	12 plane washer	4
16	0124-1032	Hexagon bolt B	2
17	09511-149	12 × 45 Hexagon bolt	2
18	0411-1022	Plane washer A	2
19	0551-2018	Split pin	1
20	0411-0818	Plane washer A	1
21	09522-101	8 Hexagon slotted nut	1

FUEL TANK • OIL TANK



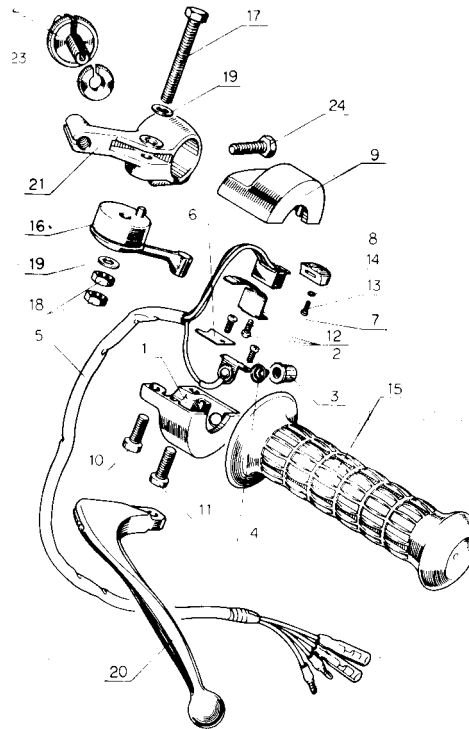
Index No.	Part No.	Part Name	No. Req'd
1	5110-9000-FAR	Fuel tank complete	1
	5110-9000-FBG	Fuel tank comp GTO 70 Gold	1
	5110-9000-FOG	Fuel tank comp GTR 71 Gold	1
	5110-9000-PSW	Fuel tank comp GTO 71 White	1
	5166-9000	Right hand tank stripe	1
	5177-9000	Left hand tank stripe	1
2	5141-9000	Left knee grip	1
3	5142-9000	Right knee grip	1
4	5145-8000	Fuel tank filter	1
5	5102-8000	Tank cap assembly	1
6	5171-8000	Tank cap gasket	1
7	5172-3100	Fuel tube	1
8	5174-9000	Right fuel tube	1
9	5103-9000	Fuel cock assembly	1
	5103-9010	Fuel cock assembly GTO	1
10	5182-8000	Fuel strainer cup	1
11	5183-8000	Strainer cup gasket	1
12	5184-8000	Fuel cock gasket	1
13	5187-3004	Fuel tube clip	3
14	5510-9000-FAR	Oil tank complete GTR	1
	5510-9000-FOG	Oil tank comp 71 Gold GTR	1
15	09564-101	10 fiber gasket	2
16	0211-0800	Hexagon nut A	1
17	0411-0818	Plane washer A	1
18	0431-0820	Spring washer	1
19	5531-5010	Oil gauge	1
20	5532-5010	Oil tank filter	1
21	5533-9000	Oil tube C	1
22	5534-5010	Union connector	1
23	55 60-5010-CBK	Oil tank cap complete	1
24	09566-108	27 O ring	1

OIL TANK - GTO



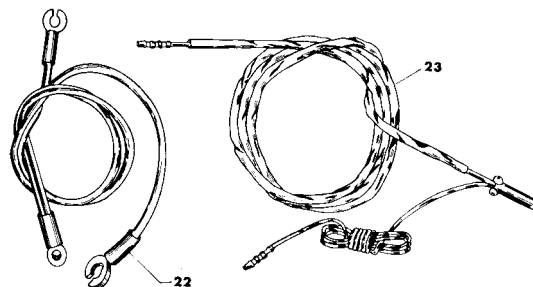
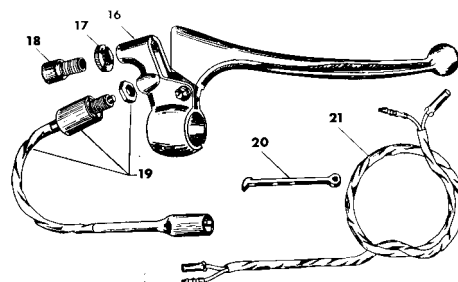
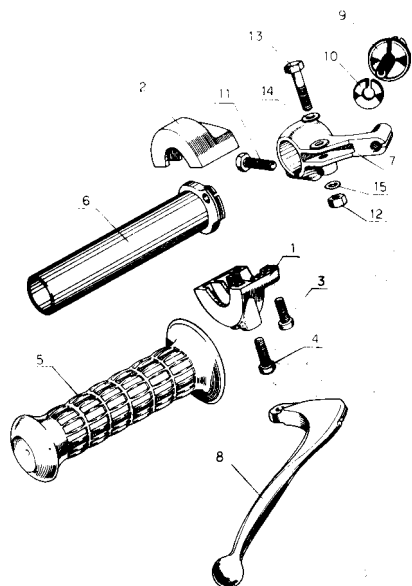
Index No.	Part No.	Part Name	No. Req'd
1	5510-9010	Oil tank	1
2	5540-9010	Left oil tank upper bracket	1
3	5541-9010	Right oil tank upper bracket	1
4	5543-9010	Oil tank lower bracket	1
5	5542-9010	Oil tank upper bracket	1
6	5544-9010	Oil tank set band	1
7	5545-9010	Oil tank spacer A	2
8	5546-9010	Oil tank spacer B	1
9	5547-9010	Oil tank set bolt	2
10	5560-9010	Oil tank cap complete	1
11	5512-9010	Oil tank connecting tube	1
12	5532-9010	Oil tank filter	1
13	0121-0822	Hexagon bolt B	1
14	0211-0800	Hexagon nut A	5
15	0411-0818	Plain washer A	7
16	0431-0820	Spring washer	1
17	0311-0614	Cross recd pan head screw	2
18	0411-0613	Plain washer A	2
19	5513-9010	Oil connecting clip	1

CLUTCH GRIP



Index No.	Part No.	Part Name	No. Req'd
	6101-9000	Clutch grip assembly	1
1	6111-8000	Left switch case	1
2	6112-3100	Horn switch contact plate	1
3	6113-3100	Horn switch button	1
4	6114-3100	Horn switch spring	1
5	6115-8000	Left handle wire	1
6	6116-8000	Left wire clamp	1
7	6117-8000	Dimmer switch clamp	1
8	6119-8000	Dimmer switch knob	1
9	6121-8000	Left switch case cover	1
10	0311-0614	Cross recd pan head screw	1
11	0311-0616	Cross recd pan head screw	1
12	0311-0306	Cross recd pan head screw	3
13	0361-0206	Pan head screw	2
14	0431-0205	Spring washer	2
15	6123-5010	Left handle grip	1
16	6103-8000	Starter lever assembly	1
17	09511-131	6 x 45 hexagon bolt	1
18	0231-0600	Hexagon nut C	2
19	0421-0612	Plane washer B	2
20	6122-8000	Clutch lever	1
21	6125-8000	Left lever holder	1
22	6126-8000	Wire adjuster	1
23	6127-8000	Wire adjuster lock nut	1
24	0111-0625	Hexagon bolt A	1

THROTTLE GRIP

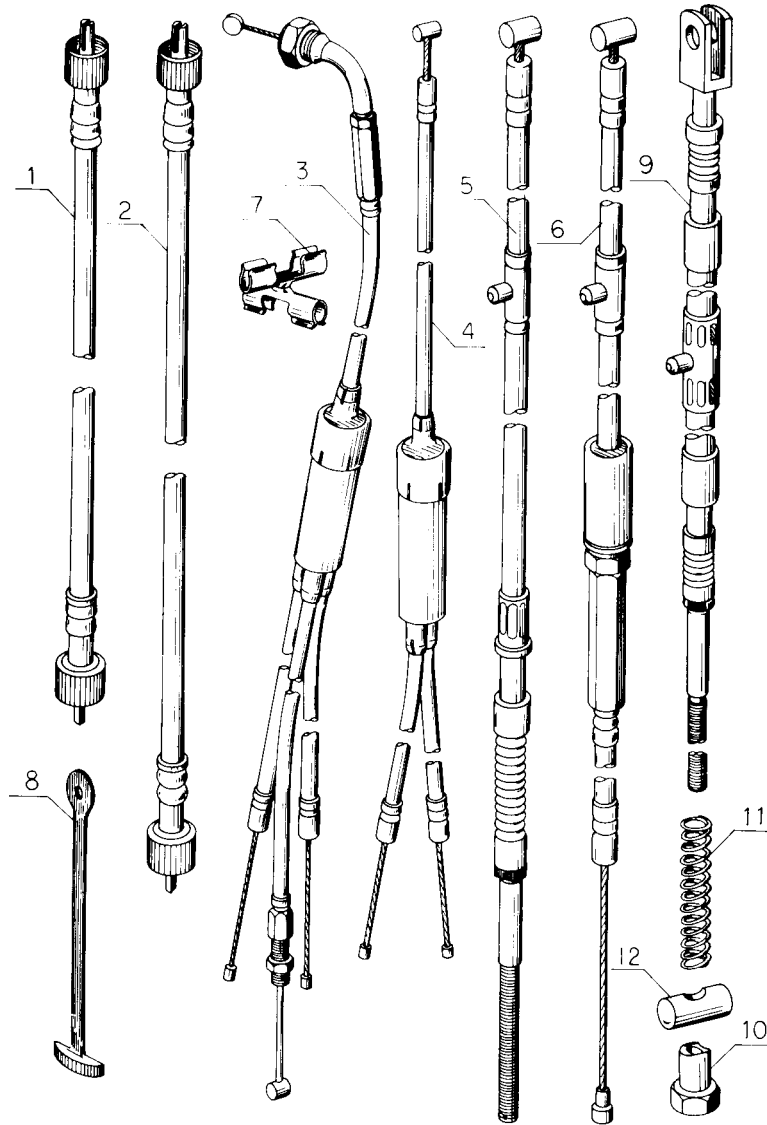


Index No.	Part No.	Part Name	No. Req'd
	6104-9000	Throttle grip assembly	1
1	6141-8010	Right switch case	1
2	6151-8000	Right switch case cover	1
3	0311-0614	Cross recd pan head screw	1
4	0311-0616	Cross recd pan head screw	1
5	6153-5010	Right handle grip	1
6	6154-8000	Throttle grip pipe	1
7	6149-8000	Right lever holder	1
8	6152-8000	Front brake lever	1
9	6126-8000	Wire adjuster	1
10	6127-8000	Wire adjuster lock nut	1
11	09511-132	6×25 hexagon bolt	1
12	0211-0611	Hexagon nut A	1
13	0111-0625	Hexagon bolt A	1
14	0421-0612	Plain washer B	1
15	0451-0611	External toothed washer	1

Exclusive Parts for Throttle Grip with Stop Light Switch

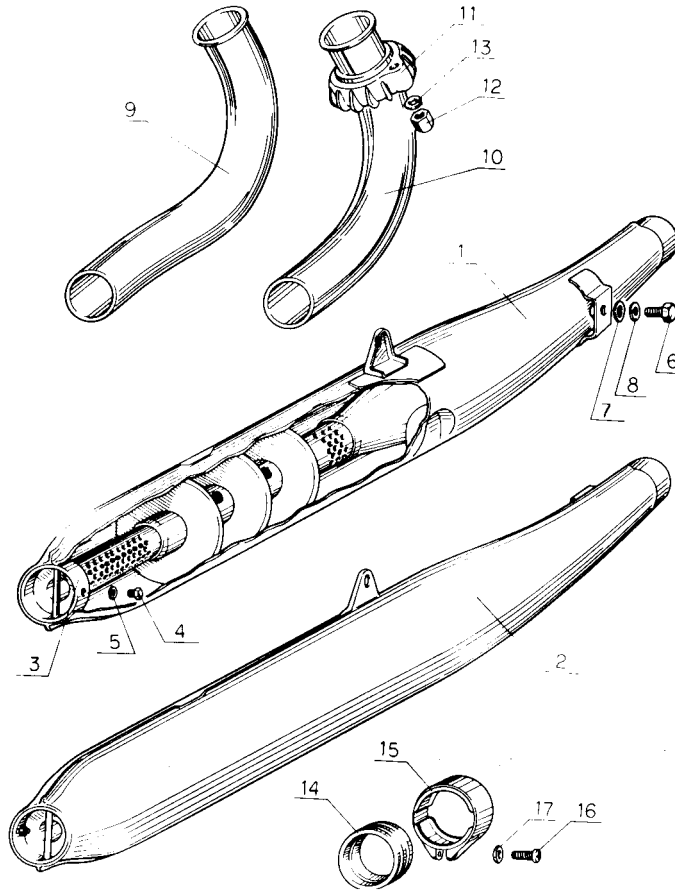
	6104-8200	Throttle grip assembly	1
16	6149-8200	Right lever holder	1
17	6127-9000	Wire adjuster lock nut	1
18	6126-8200	Wire adjuster	1
19	6134-8200	Front stop switch	1
20	3424-3010	Wire harness strap	1
21	8836-8200	Front stop switch connector	1
22	8831-9010	Body earth wire	1
23	8813-9010	Sub wire harness	1
	6151-8010	Right switch case cover	1

SPEEDOMETER CABLE • WIRES



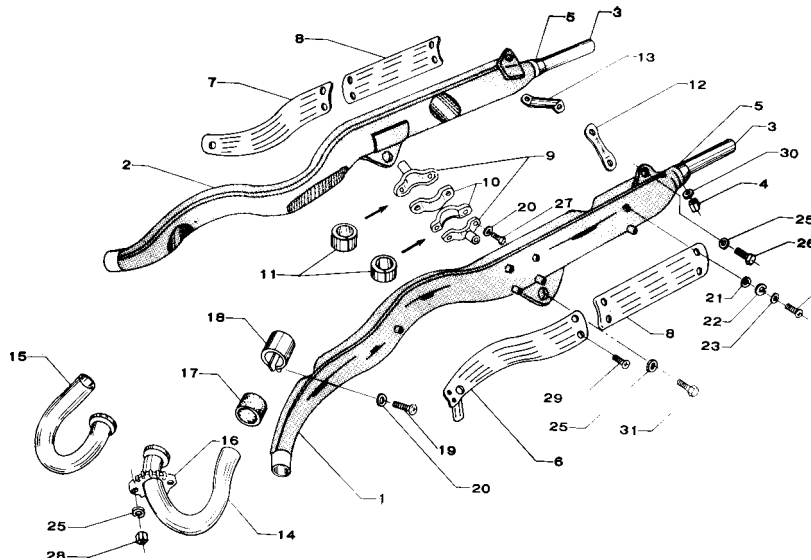
Index No.	Part No.	Part Name	No. Req'd
1	6171-9000	Speedometer cable	2
2	6172-9000	Tachometer cable	1
3	6176-9000	Throttle wire	1
4	6178-9000	Carburetor starter wire	1
5	6181-9000	Front brake wire	1
6	6186-9000	Clutch wire	1
7	6187-9000	Wire clamp C	1
8	3424-3010	Wire harness strap	3
9	3841-9000	Rear brake wire	1
10	3832-3000	Brake rod adjuster	2
11	3833-8000	Brake rod spring	2
12	7361-3003	Brake arm pin	2
	5189-9000	Wire guard spring	5

MUFFLER • EXHAUST PIPE – GTR



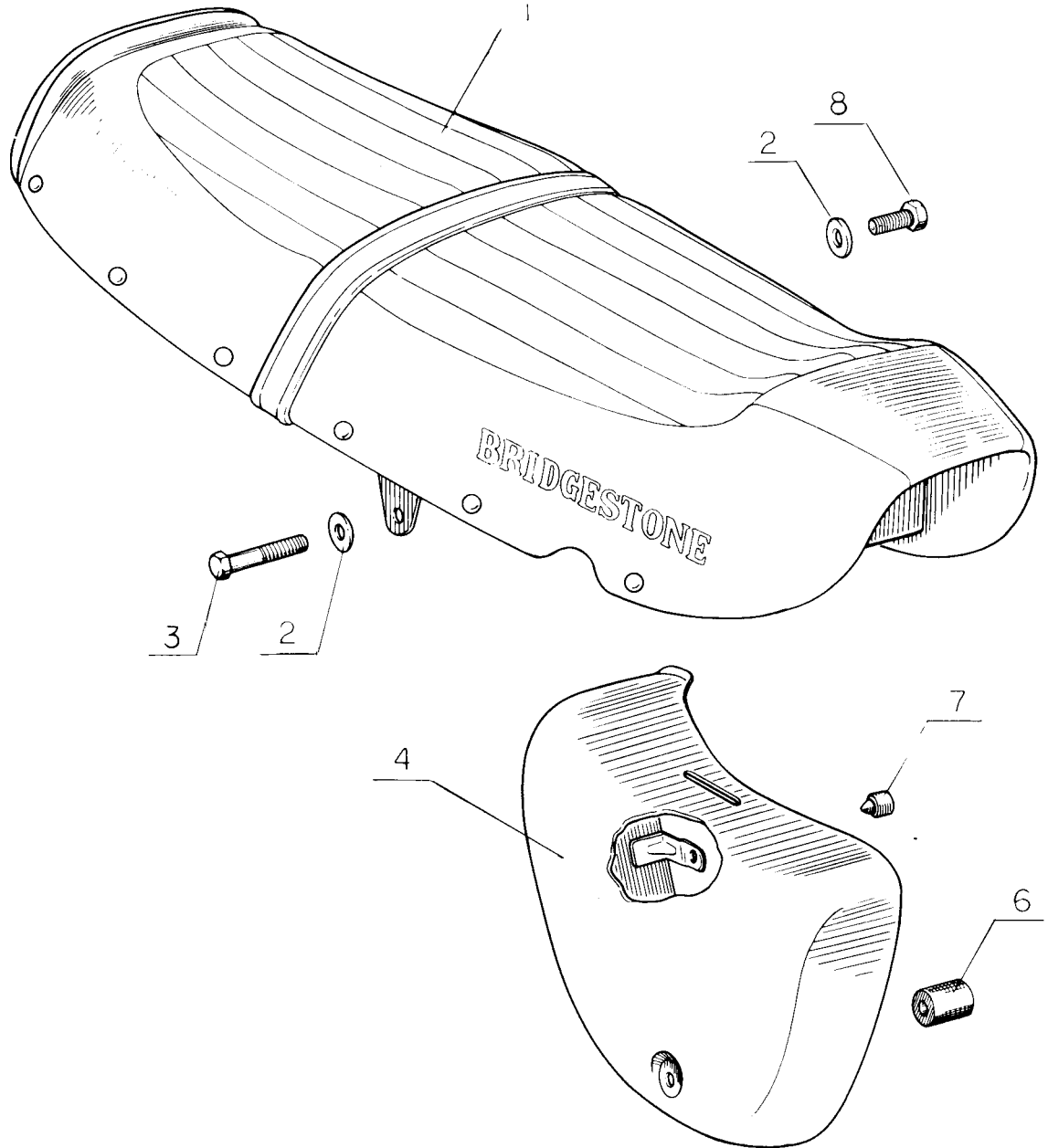
Index No.	Part No.	Part Name	No. Req'd
1	6302-9000	Left muffler assembly	1
2	6303-9000	Right muffler assembly	1
3	6320-9000	Diffuser pipe	2
4	0121-0506	Hexagon bolt B	2
5	0411-0512	Plane washer A	2
6	0111-0816	Hexagon bolt A	2
7	0411-0818	Plane washer A	2
8	0431-0820	Spring washer	2
9	6352-9000	Left exhaust pipe	1
10	6353-9000	Right exhaust pipe	1
11	6361-9000	Exhaust pipe clamp	2
12	09521-107	8 hexagon nut	2
13	0431-0820	Spring washer	2
14	6362-9000	Muffler joint rubber	2
15	6363-9000	Muffler joint stopper	2
16	0311-0620	Cross recd pan head screw	2
17	0411-0613	Plane washer A	2

MUFFLER - GTO



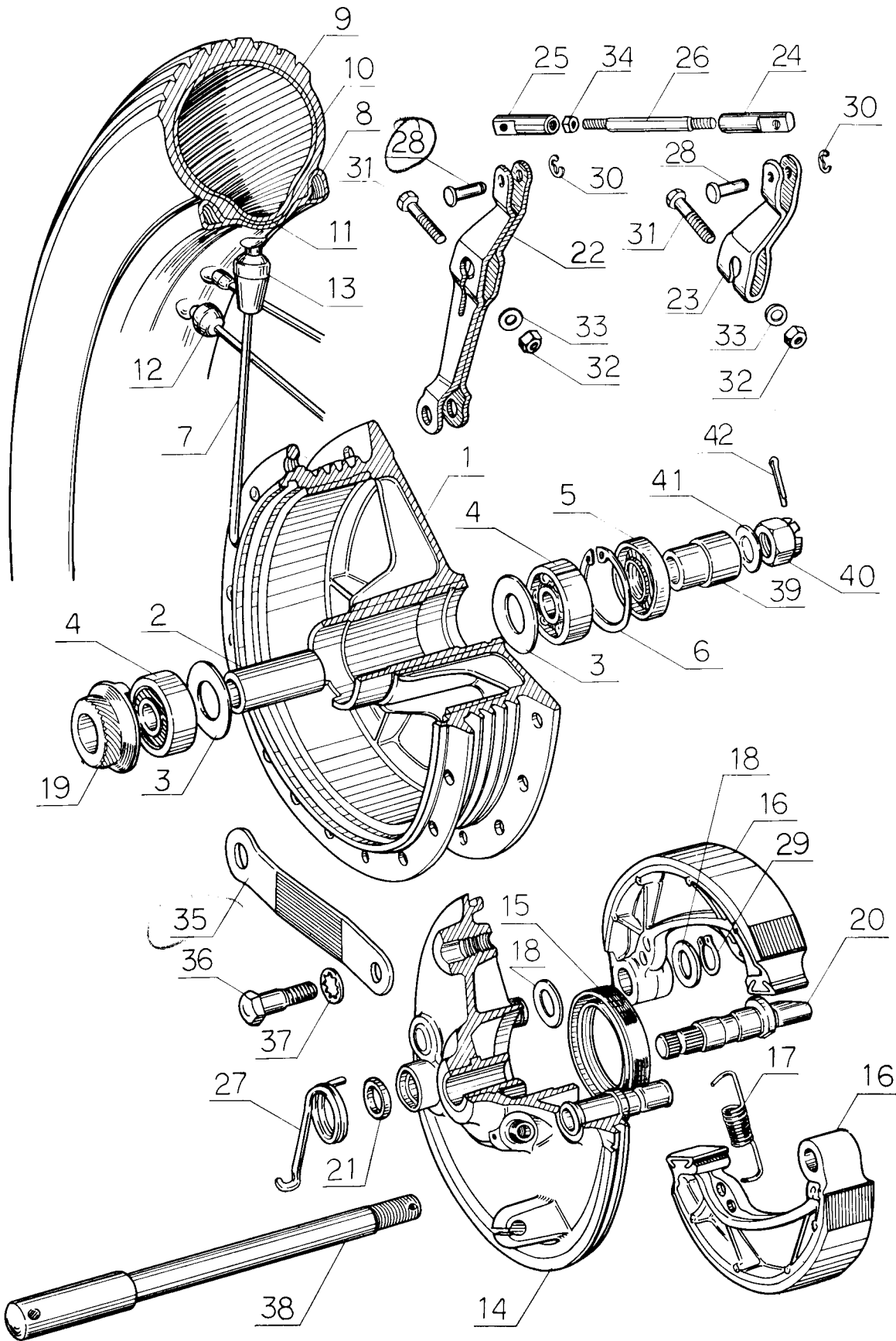
Index No.	Part No.	Part Name	No. Req'd
1	6302-9010-GBK	Left muffler assembly	1
2	6303-9010-GBK	Right muffler assembly	1
3	6320-9010	Diffuser pipe	2
4	6321-9010	Diffuser pipe nut	2
5	6322-9010	Diffuser pipe seal	2
6	6343-9010	Left front muffler protector	1
7	6344-9010	Right front muffler protector	1
8	6333-5010	Rear muffler protector	2
9	6369-9010	Band B	2
10	6367-9010	Band A	2
11	6368-9010	Band cushion rubber	2
12	6341-9010	Left muffler stay	1
13	6342-9010	Right muffler stay	1
14	6352-9010	Left exhaust pipe	1
15	6353-9010	Right exhaust pipe	1
16	6361-9000	Exhaust pipe clamp	2
17	6362-9000	Muffler joint rubber	2
18	6363-9000	Muffler joint stopper	2
19	0311-0620	Cross recd oval head screw	2
20	0411-0613	Plain washer A	6
21	6323-8010	Screw cover packing A	8
22	6338-8010	Screw cover	8
23	6324-8010	Screw cover packing B	8
24	09531-102	Cross recd pan head screw	8
25	0431-0820	Spring washer	8
26	0111-0816	Hexagon bolt A	2
27	0111-0614	Hexagon bolt A	4
28	09521-107	Hexagon nut	4
29	0341-0608	Cross recd oval head screw	6
30	0411-0512	Plain washer A	2
31	0111-0812	Hexagon bolt	2

DUAL SEAT



Index No.	Part No.	Part Name	No. Req'd
1	6460-9000	Dual seat	1
2	09541-117	12 plain washer	2
3	09511-145	12×45 Hexagon bolt	1
4	6811-9000-FAR	Left cover	1
5	6811-9000-FOG	Left cover	1
5	6831-9000	Cover knob	1
6	6833-9000	Cover stopper	1
7	3452-3210	Supporter pad	1
8	0142-1220	Hexagon bolt D	1
9	6660-9000	Passenger touring bar	1

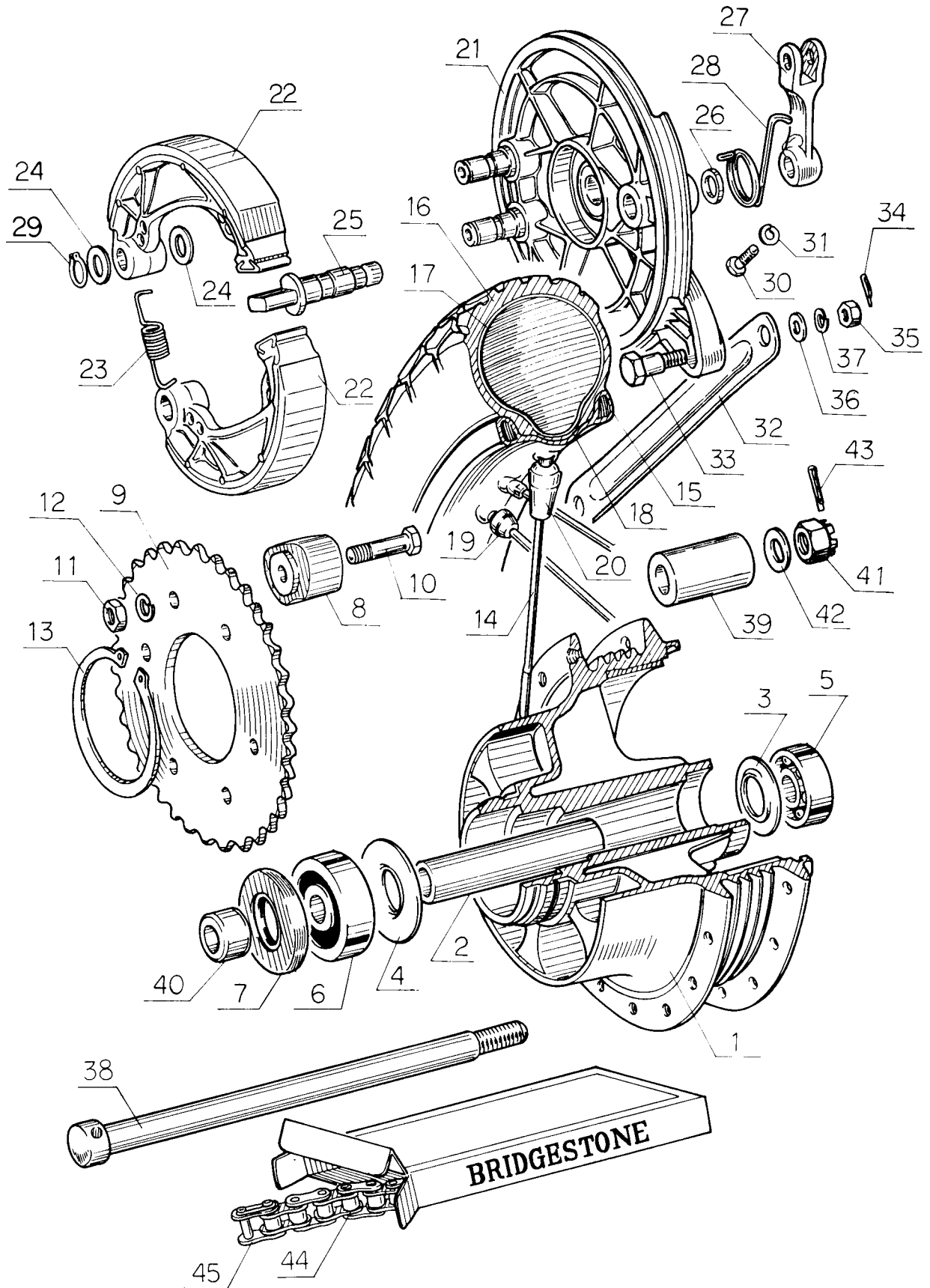
FRONT WHEEL



FRONT WHEEL

Index No.	Part No.	Part Name	No. Req'd
1	7111-8000	Front brake drum	1
2	7114-8000	Front drum collar	1
3	7115-8000	Collar supporter	2
4	07-6302-43	Ball bearing	2
5	09590-110	22 oil seal	1
6	09501-101	42 A snap ring	1
7	7108-9000	Front spoke assembly	1
8	7241-9000	Front wheel rim	1
9	7251-9000	Front wheel tire	1
10	7252-9000	Wheel tube	1
11	7253-9000	Tire flap	1
12	7245-9000	Wheel balancing weight A	1
13	7246-9000	Wheel balancing weight B	1
14	7130-9000	Front panel complete	1
15	09590-111	48 oil seal	1
16	7140-9000	Brake shoe complete	2
17	7145-8000	Brake shoe spring	2
18	09548-101	14 thrust washer	4
19	7148-9000	Speedometer gear	1
20	7151-9000	Front brake cam	2
21	7152-8000	Cam dust seal	2
22	7153-9000	Brake arm A	1
23	7154-9000	Brake arm B	1
24	7156-9000	Rod end A	1
25	7157-9000	Rod end B	1
26	7158-9000	Brake arm rod	1
27	7159-9000	Front arm return spring	1
28	7161-9000	Brake arm pin	2
29	09502-101	14 A snap ring	2
30	09504-101	5 D snap ring	2
31	0111-0632	Hexagon bolt A	2
32	0211-0600	Hexagon nut A	2
33	0411-0613	Plane washer A	2
34	0232-0500	Hexagon nut C	1
35	7166-9000	Front torque link	1
36	7167-8000	Front link bolt	1
37	0441-1018	Internal toothed washer	1
38	7221-9000	Front wheel axle	1
39	7226-8000	Front axle collar	1
40	09522-102	14 slotted hexagon nut	1
41	09541-109	14 plane washer	1
42	0551-3025	Split pin	1

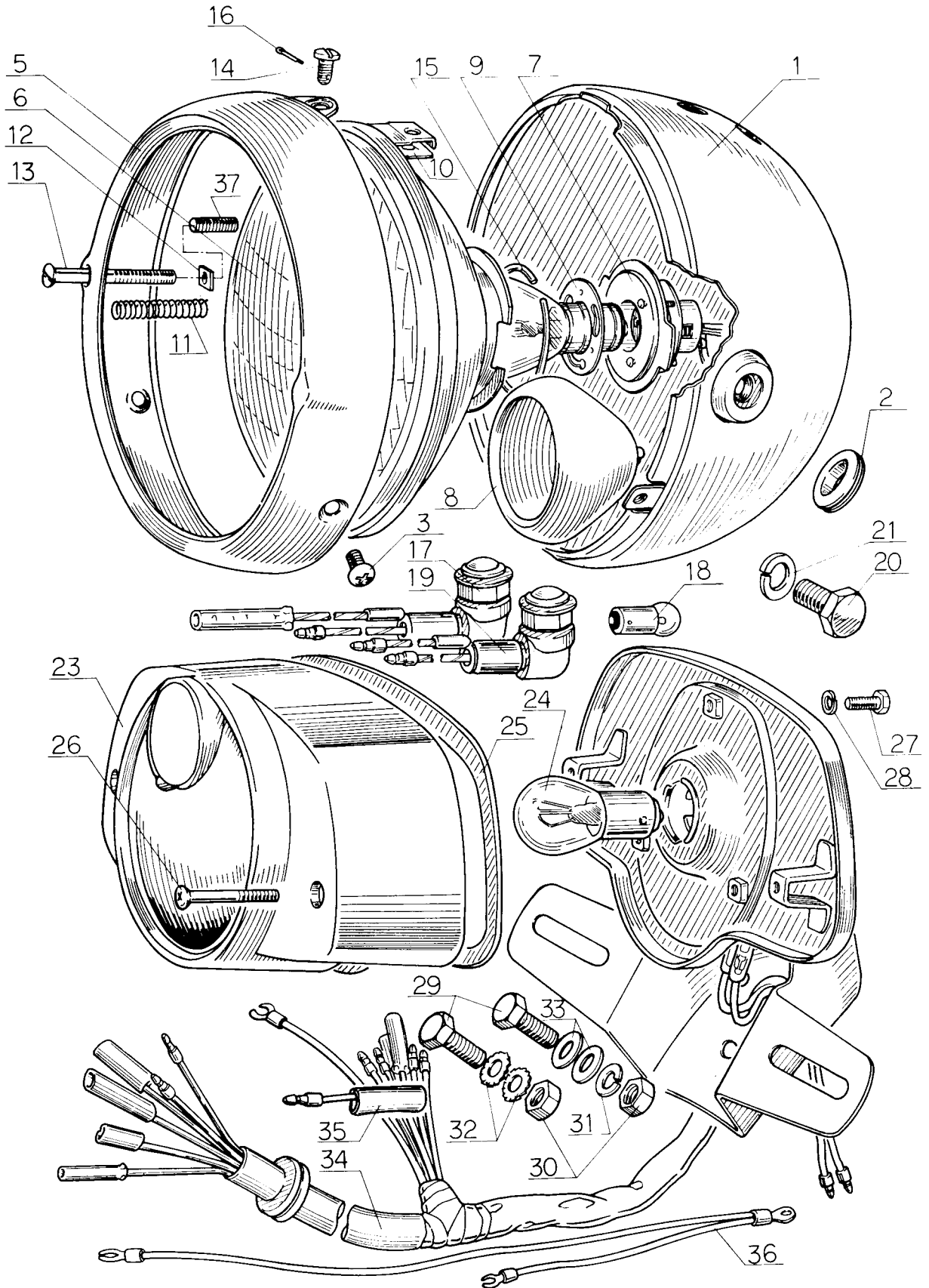
REAR WHEEL



REAR WHEEL

Index No.	Part No.	Part Name	No. Req'd
1	7311-9000	Rear brake drum	1
2	7314-9000	Rear drum collar	1
3	7315-8010	Collar supporter B	1
4	7315-9000	Collar supporter B	1
5	07-6303-43	Ball bearing	1
6	07-6403-43	Ball bearing	1
7	09590-123	28 oil seal	1
8	7319-9000	Rear wheel damper	6
9	7318-9000	Driven sprocket	1
10	09511-146	10×35 hexagon bolt	6
11	0231-1000	Hexagon nut C	6
12	0431-1025	Spring washer	6
13	09502-103	78 B snap ring	1
14	7108-9000	Front spoke assembly	1
15	7241-9000	Front wheel rim	1
16	7451-9000	Rear wheel tire	1
17	7252-9000	Wheel tube	1
18	7253-9000	Tire flap	1
19	7245-9000	Wheel balancing weight A	1
20	7246-9000	Wheel balancing weight B	1
21	7330-9000	Rear panel complete	1
22	7140-9000	Brake shoe complete	2
23	7145-8000	Brake shoe spring	2
24	09548-101	14 thrust washer	4
25	7351-9000	Rear brake cam	1
26	7152-8000	Cam dust seal	1
27	7353-8000	Brake arm C	1
28	7359-8000	Rear arm return spring	1
29	09502-101	14 A snap ring	2
30	0112-0620	Hexagon bolt A	1
31	0431-0615	Spring washer	1
32	7366-9000	Rear torque link	1
33	7367-9000	Rear link bolt	1
34	7369-8000	Latch clip	1
35	0211-0800	Hexagon nut A	1
36	0411-0818	Plane washer A	1
37	0431-0820	Spring washer	1
38	7421-9000	Rear wheel axle	1
39	7426-9000	Rear axle collar	1
40	7377-9000	Oil seal collar	1
41	09522-102	14 slotted hexagon nut	1
42	09541-109	14 plane washer	1
43	0551-3025	Split pin	1
44	7501-9000	Roller chain assembly	1
45	7520-9000	Chain joint complete	1

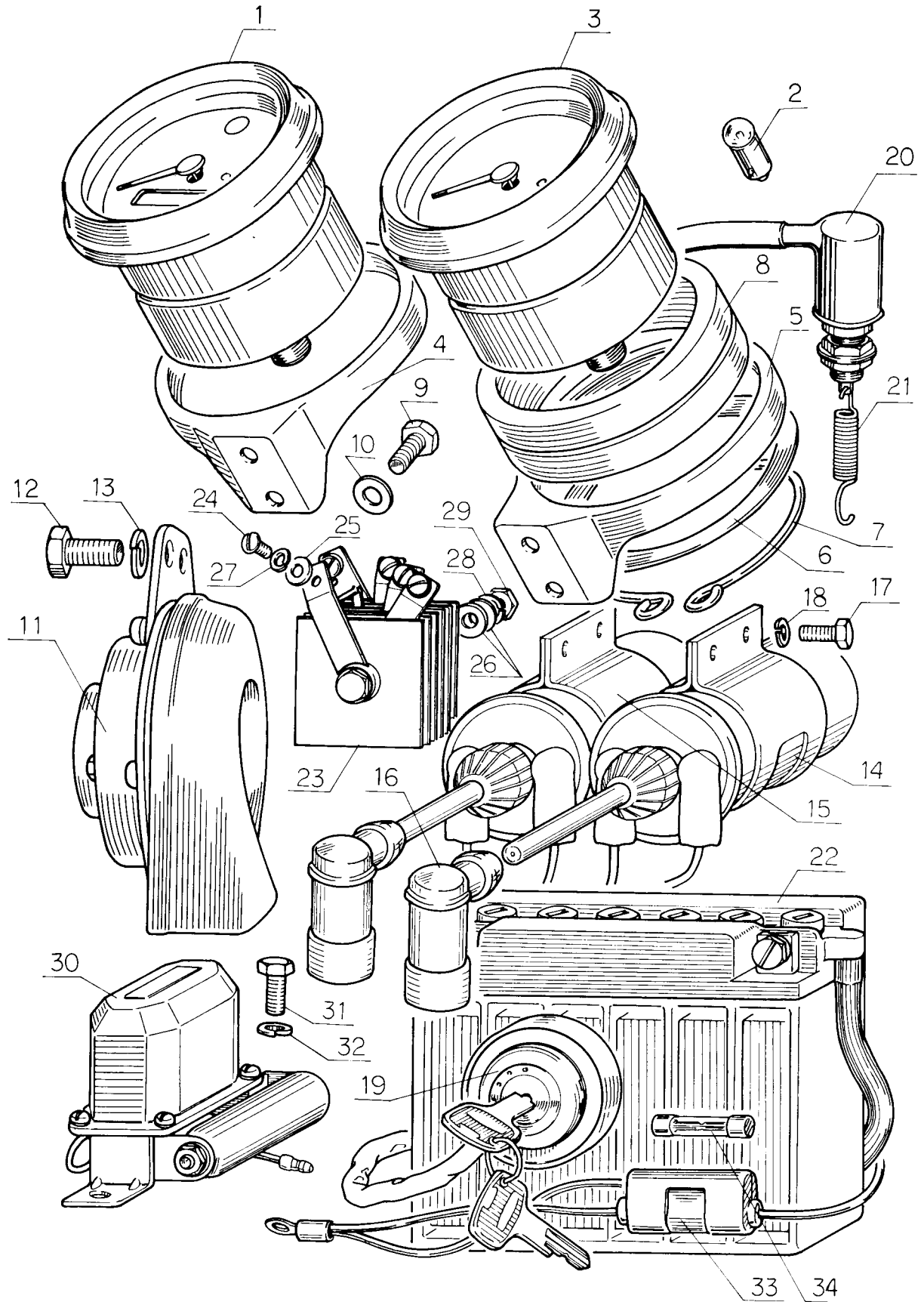
HEAD LAMP • TAIL LAMP



HEAD LAMP • TAIL LAMP

Index No.	Part No.	Part Name	No. Req'd
1	8111-9000-XCI	Head lamp body	1
2	8125-5020	Head lamp grommet	1
3	0342-0510	Cross oval head screw	2
4	8102-9000	Head lamp assembly	1
5	8140-9000	Head lamp rim assy	1
6	8150-9000	Head lamp lens comp	1
7	8160-9000	Socket complete	1
8	8178-8010	Shield rubber	1
9	8171-8010	Head lamp bulb	1
10	8173-9000	Quick acting nut	2
11	8174-9000	Adjuster spring	1
12	8175-9000	Square nut	1
13	8176-9000	Adjuster screw	1
14	8177-9000	Holder screw	2
15	8179-9000	Socket set ring	1
16	09555-101	Split pin	2
17	8404-9000	Neutral lamp assembly	1
18	8424-8000	Speedometer bulb	2
19	8405-9000	High beam lamp assy	1
20	0112-0812	Hexagon bolt A	2
21	0431-0820	Spring washer	2
	8205-9000	Tail lamp assembly	1
23	8251-9000	Tail lamp lens	1
24	8252-3040	Tail lamp bulb	1
25	8253-9000	Tail lamp gasket	1
26	0342-0436	Cross oval head screw	2
27	0111-0410	Hexagon bolt A	3
28	0431-0410	Spring washer	3
29	0111-0614	Hexagon bolt A	3
30	0211-0600	Hexagon nut A	3
31	0432-0615	Spring washer	2
32	0451-0611	External toothed washer	2
33	0411-0613	Plane washer A	8
34	8811-9010	Wire harness	1
34	8811-9000	Wire harness	1
35	8824-5010	High beam wire	1
36	8831-9000	Body earth wire	1
37	8181-9010	Cover tube	1

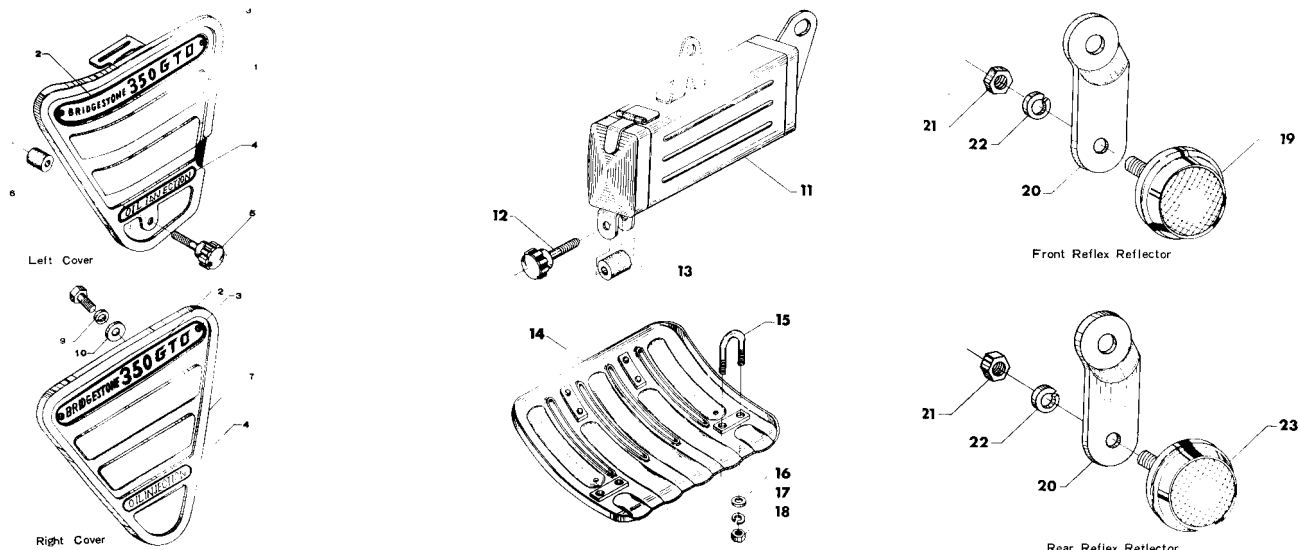
SPEEDOMETER • IGNITION COIL • MAIN SWITCH



SPEEDOMETER • IGNITION COIL • MAIN SWITCH

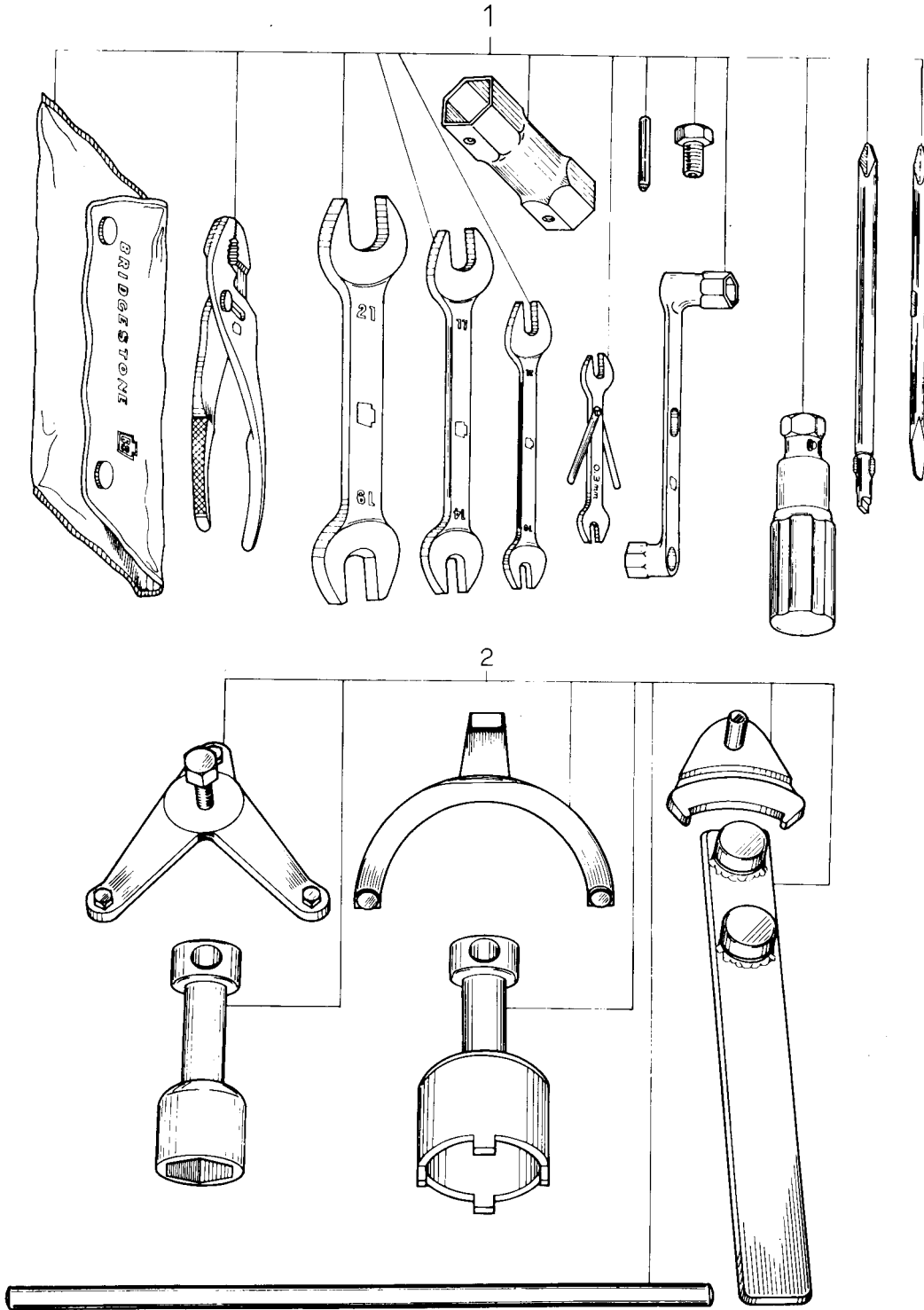
Index No.	Part No.	Part Name	No. Req'd
1	8401-9000	Speedometer assembly	1
2	8424-8000	Speedometer bulb	3
3	8403-9000	Tachometer assembly	1
4	3471-9000	Left meter holder	1
5	3472-9000	Right meter holder	1
6	8428-9000	Speedometer washer	2
7	8429-9000	Speedometer set spring	2
8	8435-9000	Meter cushion rubber	2
9	0111-0612	Hexagon bolt A	4
10	0411-0613	Plane washer A	4
11	8402-9000	Horn assembly	1
12	0111-0816	Hexagon bolt A	2
13	0431-0820	Spring washer	2
14	8502-9000	Left ignition coil assy	1
15	8503-9000	Right ignition coil assy	1
16	8520-5000	Plug cap complete	2
17	0111-0512	Hexagon bolt A	4
18	0431-0513	Spring washer	4
19	8601-9000	Main switch assy	1
20	8650-5000	Stop switch complete	1
21	8661-9000	Stop switch spring	1
22	8701-3002	Battery	1
23	8702-8000	Rectifier assembly	1
24	0361-0406	Pan head screw	5
25	0411-0410	Plane washer A	5
26	0411-0512	Plane washer A	2
27	0431-0410	Spring washer	5
28	0431-0513	Spring washer	1
29	0231-0500	Hexagon nut C	1
30	8703-9000	Regulator assembly	1
31	0111-0612	Hexagon bolt A	2
32	0431-0615	Spring washer	2
33	8802-9000	Fuse assembly	1
34	8861-3000	Fuse	2

TOOL BOX • COVER • ENGINE PROTECTOR • REFLECTORS



Index No.	Part No.	Part Name	No. Req'd
1	6811-9010-FBG	Left cover 70 Gold	1
	6815-9011-PSW	Left cover 71 White	1
2	6815-9010	Cover ornament	2
	6815-9010	Cover ornament	2
3	6823-8000	Eyelet	4
4	9116-5010	Oil injection label	2
5	6831-9000	Cover knob	1
6	6833-9000	Cover stopper	1
7	6821-9010-FBG	Right cover 70 Gold	1
	6821-9010-PSW	Right cover 71 White	1
8	0121-0822	Hexagon bolt B	1
9	0431-0820	Spring washer	1
10	0411-0818	Plain washer A	1
11	3301-9010	Toolbox	1
12	6831-9000	Tool box knob	1
13	6833-9000	Cover stopper	1
14	6761-9010	Engine protector	1
15	6762-9010	Engine protector U bolt	4
16	0411-0818	Plain washer A	8
17	0431-0820	Spring washer	8
18	0211-0800	Hexagon nut A	8
19	8206-5610	Front reflector assembly	2
	8271-5610	Front reflector	2
20	8272-5610	Reflector bracket	4
21	0211-0600	Hexagon nut A	4
22	0433-0615	Spring washer	4
23	8207-9010	Rear reflector assembly	2
	8281-9010	Rear reflector	2

SERVICE TOOL SET • SPECIAL TOOL SET



Index No.	Part No.	Part Name	No. Req'd
1	9201-9000	Service tool set	1
2	9300-9010	Special tool set	1